

BESV

Premium e-bikes

TRS FRAME PARTS



TRS series

The BESV TRS 160 is one of our full-suspension e-MTBs that is perfect for the most challenging trails. With a suspension travel of 160 mm front and 150 mm rear, no cliff is too tall and no pothole too deep. If you are looking for a premium, high-quality eMTB, this is an excellent choice.

TRS Urban series

The BESV TRS Urban is our most versatile e-bike on all fronts. Off-road, on-road, commuting, hitting the trails, trekking tours and anything else you can think of. If this Urban e-bike were a car, it would be an SUV! The TRS Urban is more than capable of serious off-road riding and has perfect specs for the job. It even has a rack, fenders and lights.





TRS 160 1.1 LE



TRS 160 1.1



TRS 1.3



TRS 1.5



TRS 150 URBAN 1.1



TRS URBAN 1.3



LIST OF PARTS: Only complete sets are available to order. Please use these parts numbers when placing your order.

Location	Name	Description	Part Number of Set	Unit Part Number	Quantity
1	MOTOR CAGE PIVOT HARDWARE	MY22-23 TRS MOTOR CAGE PIVOT SPACER, Q28-3014-8-0, DIA.28*H3.8, ALU.7075-T6, ANDZ. BLACK, MY22 TRS YCMT12	60.Y2PAP.005	34.Y2PFM.107	1
		MY22-23 TRS MOTOR CAGE PIVOT SPACER, Q28-3014-9-0, DIA.28*H3.8, ALU.7075-T6, ANDZ. BLACK, MY22 TRS YCMT12		34.Y2PFM.105	1
		MY22-23 TRS MOTOR CAGE PIVOT BEARING, 6902V ZZ 2RD, O.D.28/I.D.15 H7, MY22 TRS YCMT12		34.Y2PFM.102	2
		MY22-23 TRS MOTOR CAGE PIVOT BOLT, Q28-1058-A, M12*P1.5*L31, AL7075-T6, ANDZ. BLACK, MY22 TRS YCMT12		34.Y2PFM.111	2
		MY22-23 TRS MOTOR CAGE PIVOT BOLT, Q28-1024-D, DIA.17.5*L76.1/DIA.17.5*L34.5, ALU.7075-T6, ANDZ. BLACK, MY22 TRS YCMT12		34.Y2PFM.108	1
		MY22-23 TRS MOTOR CAGE PIVOT SPACER, Q28-3027-2, DIA.21.5*H3.2, SUS304, MY22 TRS YCMT12		34.Y2PFM.106	2
2	CHAIN STAY PIVOT HARDWARE	MY22-23 TRS CHAIN STAY PIVOT SPACER, Q28-3022-8, DIA.14*H1.65, ALU.6061-T6, ANDZ. BLACK, MY22 TRS YCMT12	60.Y2PAP.004	34.Y2PFM.114	6
		MY22-23 TRS CHAIN STAY PIVOT BEARING, 6800V ZZ 2RD, O.D.19/I.D.10 H5, MY22 TRS YCMT12		34.Y2PFM.109	4
		MY22-23 TRS CHAIN STAY PIVOT BOLT, Q28-3030-J-8, DIA.20* L26.5, M10*1.0, ALU.7075-T6, ANDZ. BLACK, MY22 TRS YCMT12		34.Y2PFM.113	2
3	SEAT TUBE PIVOT HARDWARE	MY22-23 TRS SEAT TUBE PIVOT BOLT, Q28-1024-8, DIA.17.5*L1.6/DIA.17.5*L34.5, ALU.7075-T6, ANDZ. BLACK, MY22 TRS YCMT12	60.Y2PAP.002	34.Y2PFM.104	1
		MY22-23 TRS SEAT TUBE PIVOT SPACER, Q28-3014-8-0, DIA.28*H3.8, ALU.7075-T6, ANDZ. BLACK, MY22 TRS YCMT12		34.Y2PFM.107	1
		MY22-23 TRS SEAT TUBE PIVOT SPACER, Q28-3014-9-0, DIA.28*H3.8, ALU.7075-T6, ANDZ. BLACK, MY22 TRS YCMT12		34.Y2PFM.105	1
		MY22-23 TRS SEAT TUBE PIVOT BEARING, 6902V ZZ 2RD, O.D.28/I.D.15 H7, MY22 TRS YCMT12		34.Y2PFM.102	2
		MY22-23 TRS SEAT TUBE PIVOT SPACER, Q28-3027-2, DIA.21.5*H3.2, SUS304, MY22 TRS YCMT12		34.Y2PFM.106	2
4	SEAT STAY PIVOT HARDWARE	MY22-23 TRS SEAT STAY PIVOT BOLT, Q28-1058-A, M12*P1.5*L31, AL7075-T6, ANDZ. BLACK, MY22 TRS YCMT12	60.Y2PAP.003	34.Y2PFM.111	2
		MY22-23 TRS SEAT STAY PIVOT BEARING, 6901V ZZ 2RD, O.D.24/I.D.12 H6, MY22 TRS YCMT12		34.Y2PFM.103	2
		MY22-23 TRS SEAT STAY PIVOT SPACER, Q28-3025-2, DIA.20*H3, SUS304, MY22 TRS YCMT12		34.Y2PFM.112	4
5	UPPER AND LOWER SHOCK MOUNT	MY22-23 TRS SHOCK UPPER/LOWER MOUNT BOLT, Q28-1021-3, INNER HEX, DIA.12*L43, M8*P1.0, ALU.7075-T6, ANDZ. BLACK, MY22 TRS YCMT12	60.Y2PAP.001	34.Y2PFM.115	2
		MY22-23 TRS SHOCK UPPER/LOWER MOUNT NUT, Q28-3046-0, INNER HEX, DIA.15*L10, M8*P1.0, ALU.7075-T6, ANDZ. BLACK, MY22 TRS YCMT12		34.Y2PFM.117	2
		MY22-23 TRS SHOCK UPPER/LOWER MOUNT SPACER, Q28-3000-C, DIA.12*H1, SUS304, MY22 TRS YCMT12		34.Y2PFM.116	2
6	MOTOR MOUNT HARDWARE	MY22-23 TRS MOTOR MOUNT BOLTS FOR SHIMANO EP MOTORS, Q28-3106-T-L, M8*L18, FOR MOTOR, SCM435, ED BLACK, W/NYLOK, MY22 TRS, YCMT12	60.Y2PAP.006	34.Y2PFM.122	6
		MY22-23 TRS MOTOR MOUNT SPACER FOR SHIMANO EP MOTORS, Q28-3000-C, DIA.12*H1, SUS304, MY22 TRS YCMT12		34.Y2PFM.116	6
7	MOTOR BASH GUARD	MY22-23 TRS MOTOR BASH GUARD, Q28-EP800-G, BLACK MATT, W/4PCS BOLTS (Q28-3031-4-L), YCMT12	60.Y2PAP.007	34.Y2PFM.002	1
		MY22-23 TRS MOTOR BASH GUARD BOLT, Q28-3031-4-L, FLAT HEAD SCREWS, M5*L10, FOR MOTOR BOTTOM COVER, SUS304, ED BLACK, W/NYLOK, MY22 TRS, YCMT12		34.Y2PFM.121	4
8	HANGER	TRS ALLOY HANGER / Q28-4231-1 / TA12MM / 1.5P TREAD / INCL W/FRAME / W/O HANGER BOLTS	60.Y2PAP.009	34.Y2PFM.003	1
		TRS HANGER BOLT 28-5013-E-L		28-5013-E-L	2
9	BATTERY COVER	TRS BATTERY COVER / A6061 COVER FOR DARFON 410-720WH / W/BUTTON AND LATCH / W/O BOTTLE MOUNT / W/ALL ACC AND FULLY FUNCTIONAL	34.Y2PFM.002		1
10	SWING ARM	MY22-23 TRS SWING ARM, Q28-8406-H, 193.5*87.5*74.5, ALU.6061-T6, BLACK, MY22 TRS YCMT12	34.Y2PFM.101		1

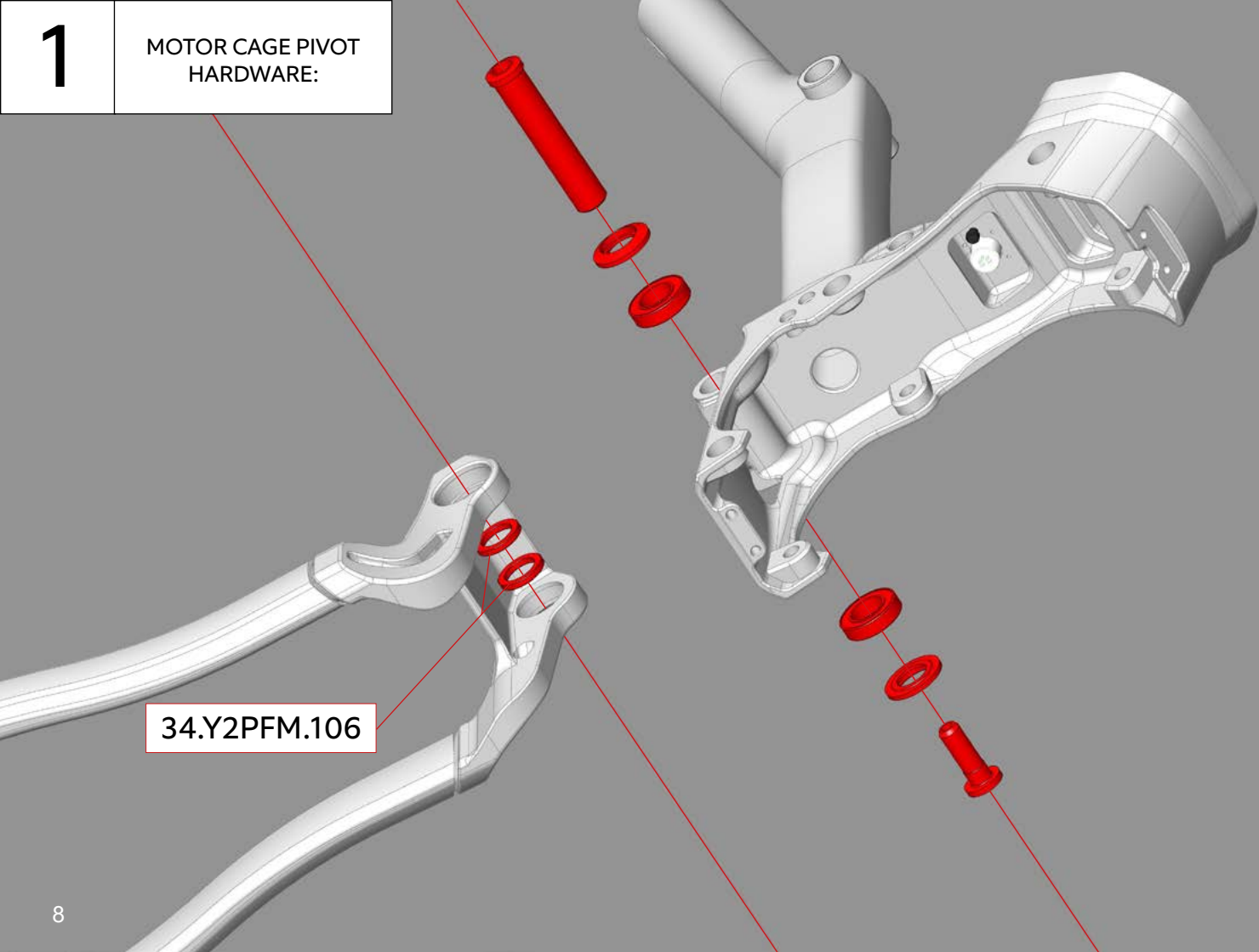


Darfon Europe BV
Habraken 2145A
5507TE Veldhoven
The Netherlands

+31 40 303 1600
service.europe@darfon.com

1

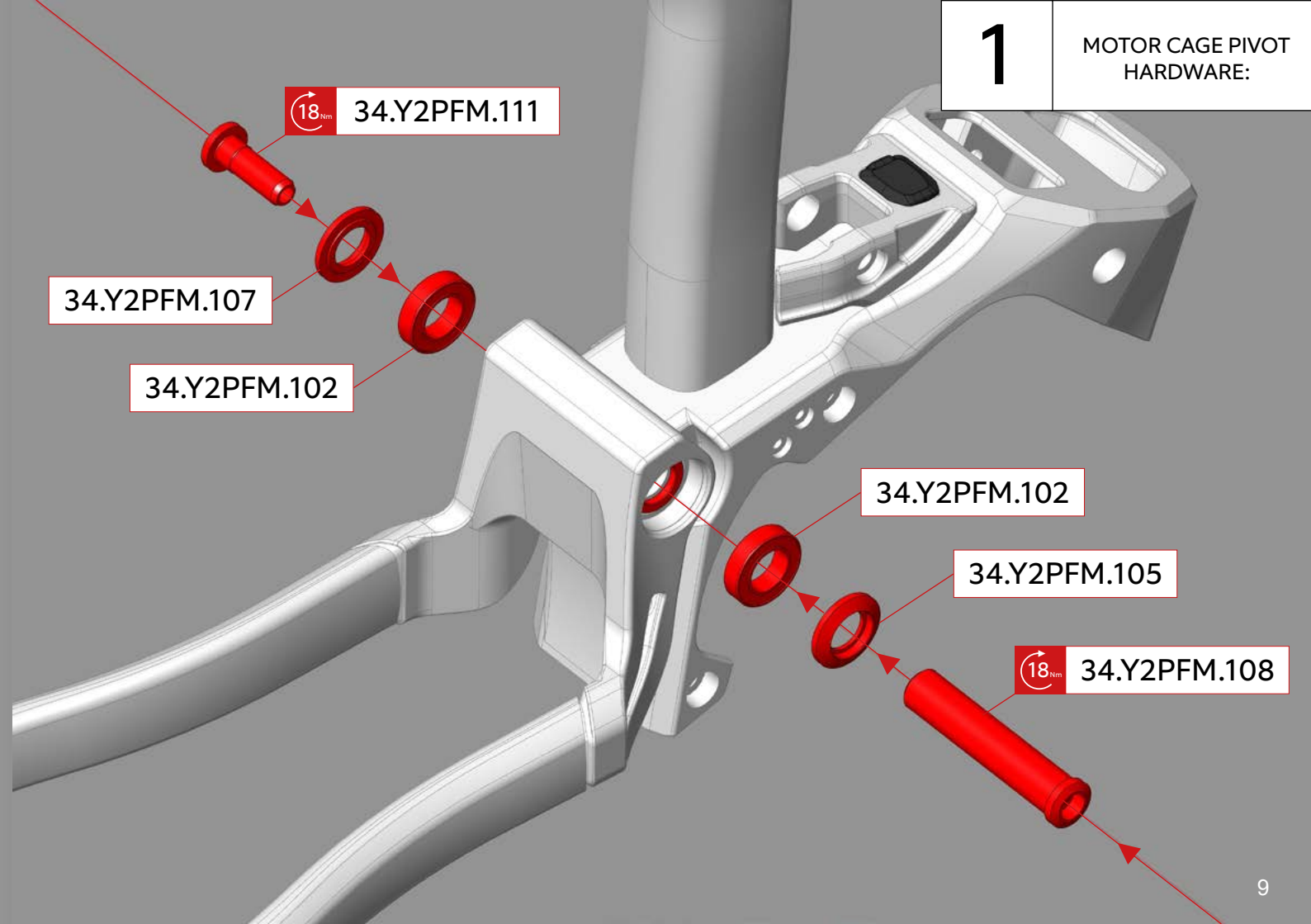
MOTOR CAGE PIVOT
HARDWARE:



34.Y2PFM.106

1

MOTOR CAGE PIVOT
HARDWARE:



18 Nm 34.Y2PFM.111

34.Y2PFM.107

34.Y2PFM.102

34.Y2PFM.102

34.Y2PFM.105

18 Nm 34.Y2PFM.108

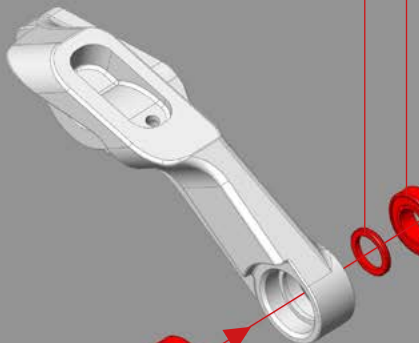
2

CHAIN STAY PIVOT
HARDWARE:

34.Y2PFM.114

34.Y2PFM.109

34.Y2PFM.114



34.Y2PFM.114

34.Y2PFM.109

34.Y2PFM.114

34.Y2PFM.109

34.Y2PFM.114

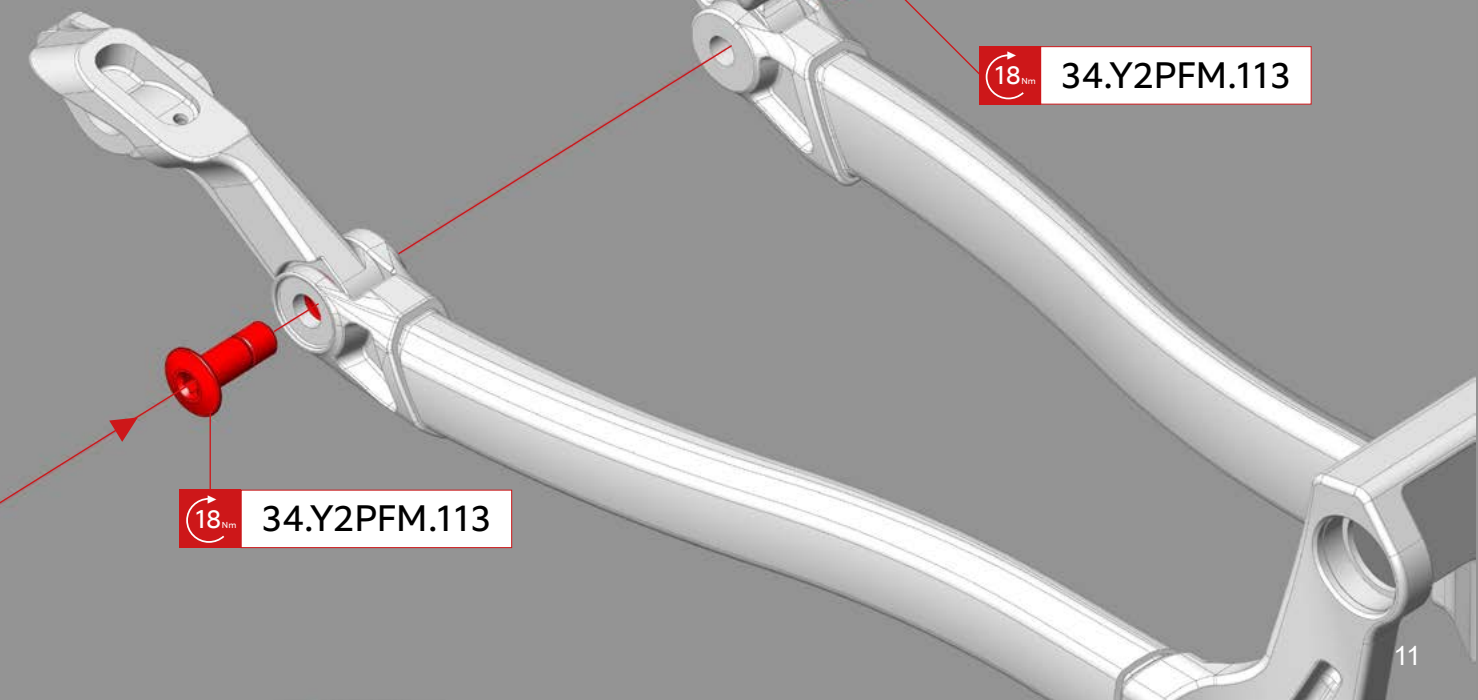
34.Y2PFM.109

34.Y2PFM.114

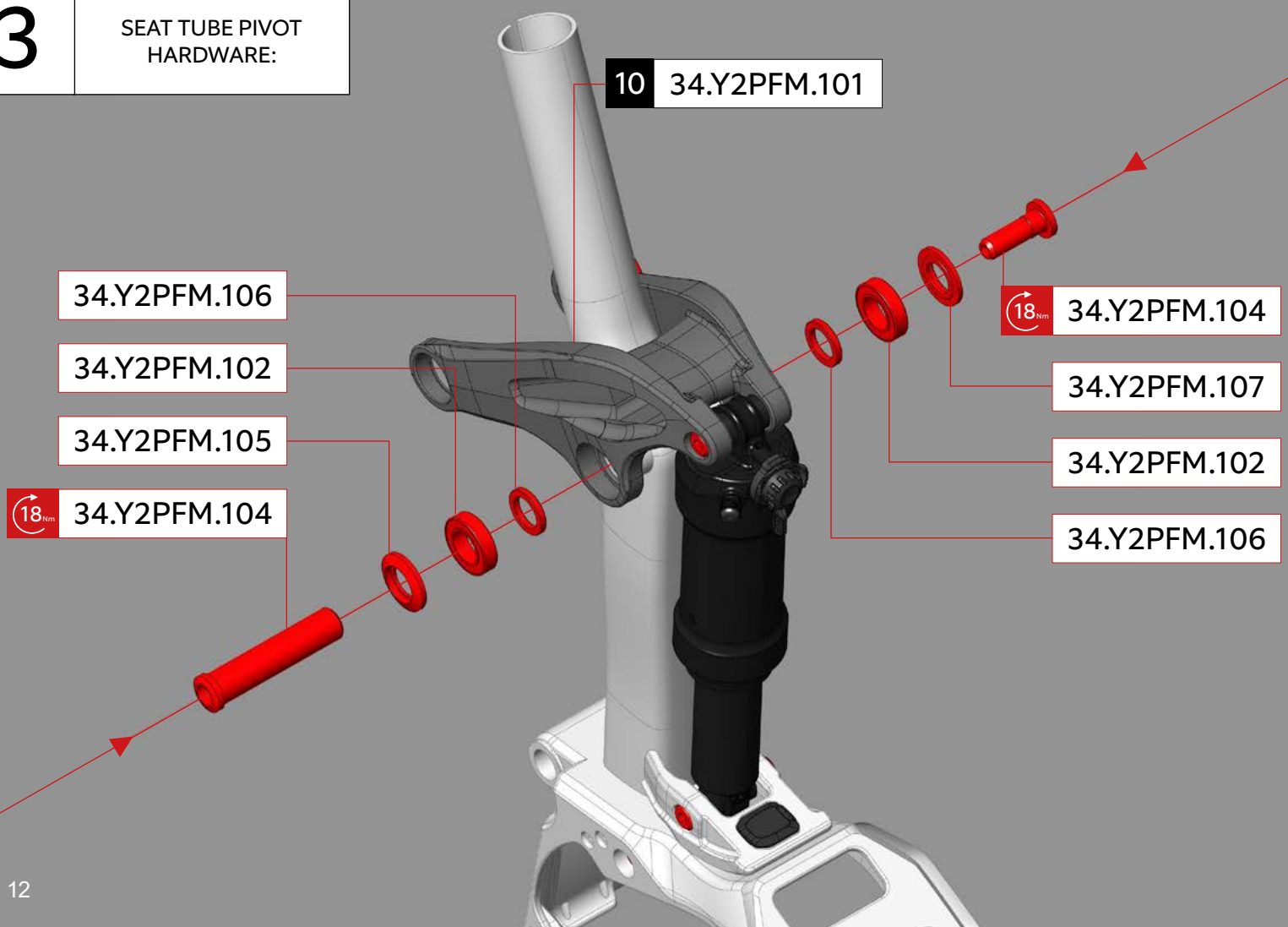
2

CHAIN STAY PIVOT
HARDWARE:

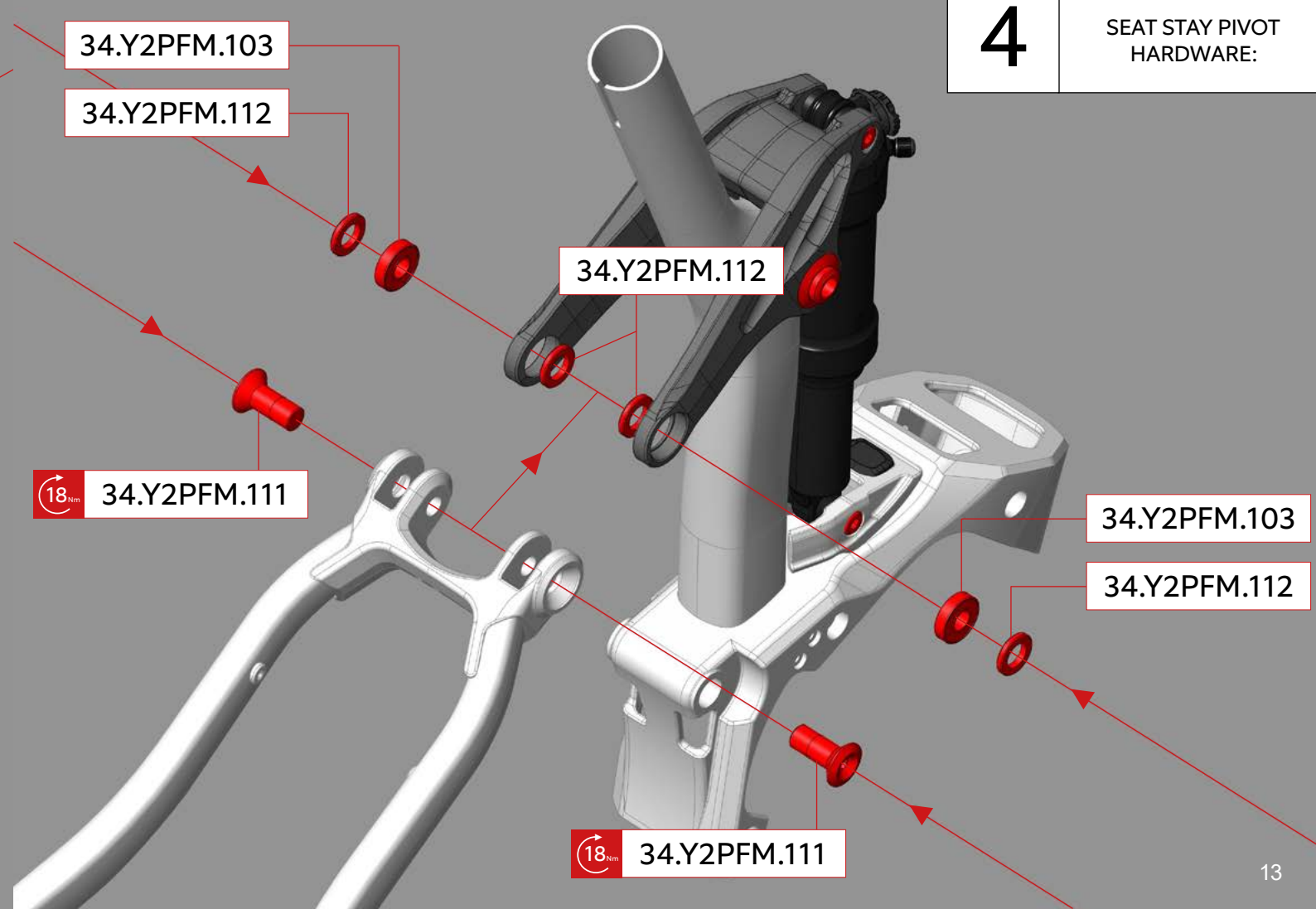
18_{mm} 34.Y2PFM.113



18_{mm} 34.Y2PFM.113

3SEAT TUBE PIVOT
HARDWARE:

12

4SEAT STAY PIVOT
HARDWARE:

13

5

UPPER/LOWER SHOCK MOUNT:

34.Y2PFM.116

12 Nm 34.Y2PFM.115

34.Y2PFM.116

12 Nm 34.Y2PFM.115

34.Y2PFM.117

34.Y2PFM.117

6

MOTOR MOUNT HARDWARE:

34.Y2PFM.116

15 Nm 34.Y2PFM.122

15 Nm 34.Y2PFM.122

34.Y2PFM.116

34.Y2PFM.116

34.Y2PFM.116

15 Nm 34.Y2PFM.122

7

MOTOR BASH
GUARD:

7 34.Y2PMM.002

4Nm 34.Y2PFM.121

4Nm 34.Y2PFM.121

8

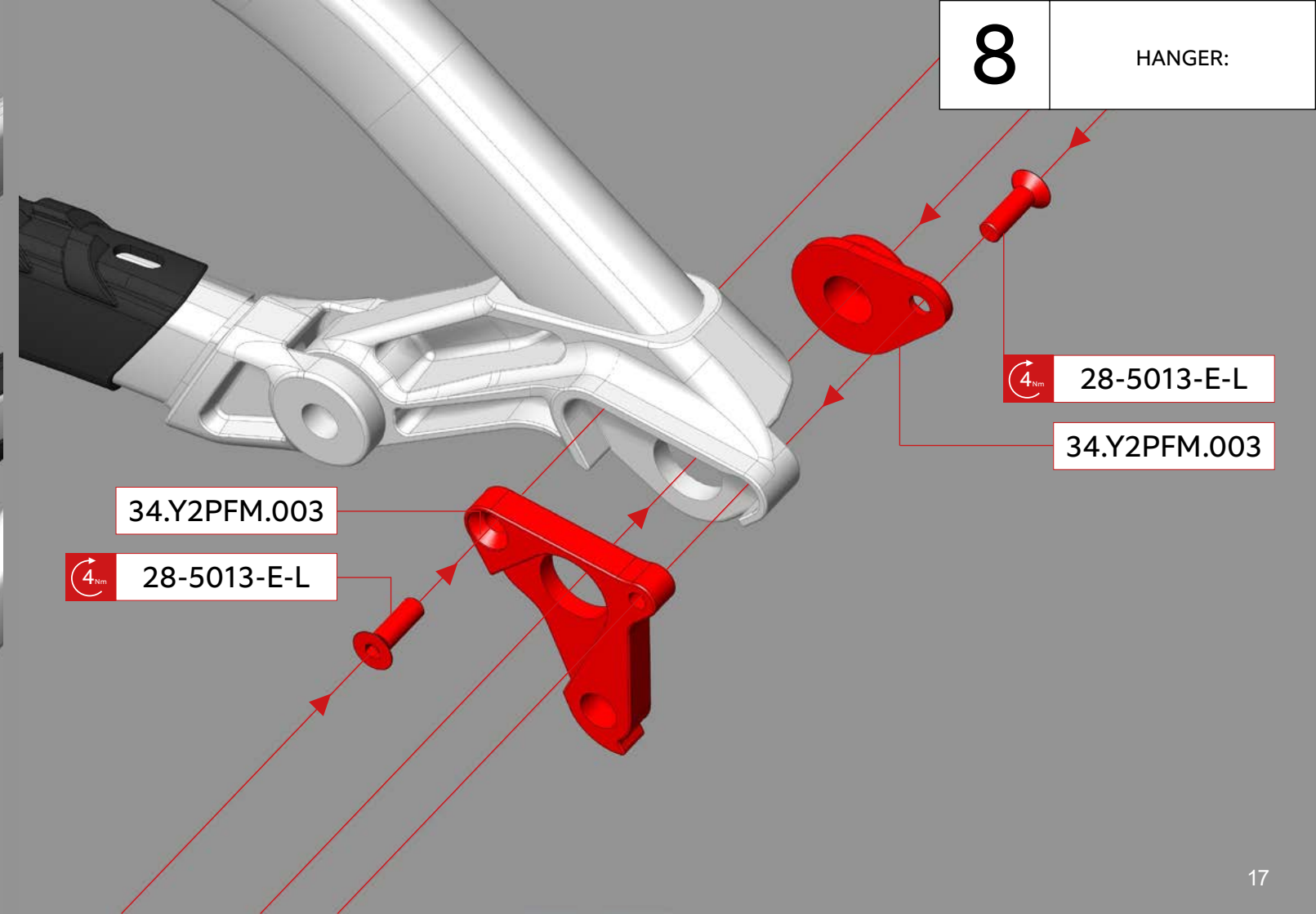
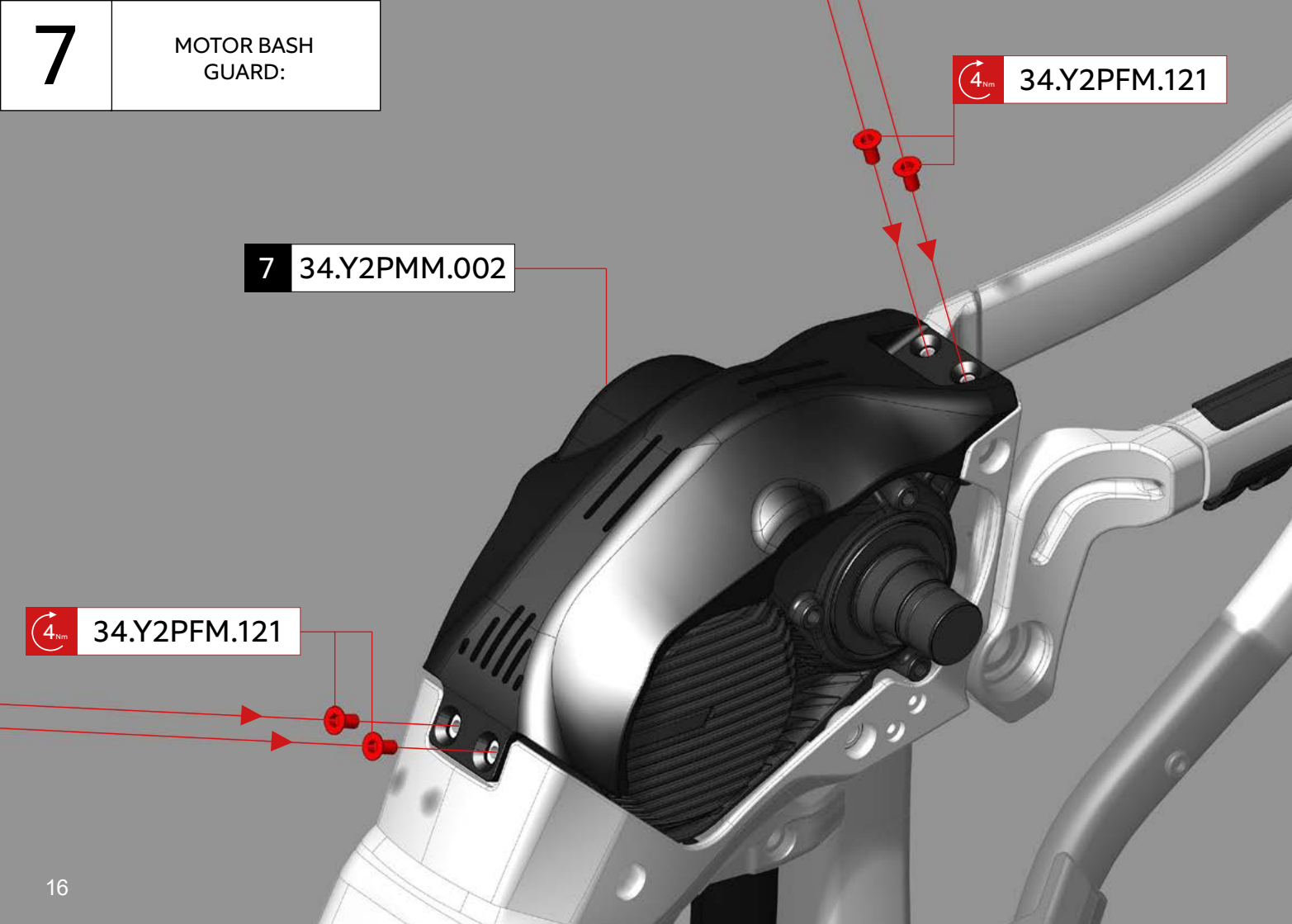
HANGER:

4Nm 28-5013-E-L

34.Y2PFM.003

34.Y2PFM.003

4Nm 28-5013-E-L





9 34.Y2PFM.002

Index:

▪TRS series	2.
▪Lineup	4.
▪List of parts	6.
▪General view	7.
▪Motor cage pivot hardware	8.
▪Chain stay pivot hardware	10.
▪Seat tube pivot hardware	12.
▪Seat stay pivot hardware	13.
▪Upper and lower shock mount	14.
▪Motor mount hardware	15.
▪Motor bash guard	16.
▪Hanger	17.
▪Battery cover	18.

Darfon Europe BV
Habraken 2145A
5507TE Veldhoven
The Netherlands

+31 40 303 1600
service.europe@darfon.com



BESV

Premium e-bikes