

Dealer's Manual

ROAD	MTB	Trekking
City Touring/ Comfort Bike	URBAN SPORT	E-BIKE

EP8

EP800 Series

DU-EP800
DU-EP800-CRG
FC-M8150
FC-EM900
FC-EM600
SM-CRE80
SM-CRE80-B
SM-CRE80-12
SM-CRE80-12-B
SM-CRE80-12-SB
SM-CRE61
EW-SS300
EW-SS301
EW-SS302
DC-EP800-A
DC-EP800-B
DC-EP800-G

SHIMANO
STEPS

Contents

Contents	2
IMPORTANT NOTICE	4
TO ENSURE SAFETY.....	5
Booklet structure.....	10
List of tools to be used.....	12
Installing electrical parts	13
Names of parts	13
• External type.....	13
• Internal type	14
Overall wiring diagram.....	15
Specifications.....	16
Electric wires.....	16
• Supported products.....	16
• Conversion adapter	18
• Connecting/disconnecting the electric wires	18
Installing cockpit peripheral components	22
Installing the battery mount and parts	22
Installing the speed sensor.....	22
• Generic type.....	22
• Type designed exclusively for use with a disc brake rotor with magnet unit	24
• Type designed exclusively for use with a lock ring with magnet	25
Installing the drive unit and peripheral parts.....	27
Installing the drive unit	27
Connecting the power cord.....	29
• Connection method	29
• Removal method	30
Connecting cockpit peripheral parts and electronic gear shifting components	30

Connecting the speed sensor	31
Connecting the light cables.....	32
Installing the drive unit cover	34
• Affixing the thermal hazard label.....	35
Installing the chainring unit and crank arms	35
Installing the arm covers	40
Measuring and adjusting the chain tension	42
• Manual adjustment	43
• Measuring and adjusting with TL-DUE60	43
Connection and communication with devices	46
Maintenance.....	47
Replacing the chainring unit	47
Replacing the chainring.....	48
Replacing the chain guard.....	49
Replacing the arm cover	50




IMPORTANT NOTICE

- **This dealer's manual is intended primarily for use by professional bicycle mechanics.** Users who are not professionally trained for bicycle assembly should not attempt to install the components themselves using the dealer's manuals. If any part of the information on the manual is unclear to you, do not proceed with the installation. Instead, contact your place of purchase or a distributor for assistance.
- Make sure to read all manuals included with each product.
- Do not disassemble or modify the product other than as stated in the information contained in this dealer's manual.
- All manuals and technical documents are accessible online at <https://si.shimano.com>.
- For consumers who do not have easy access to the internet, please contact a SHIMANO distributor or any of the SHIMANO offices to obtain a hardcopy of the user's manual.
- Please observe the appropriate rules and regulations of the country, state or region in which you conduct your business as a dealer.
- The Bluetooth® word mark and logos are registered trademarks owned by the Bluetooth SIG, Inc. and any use of such marks by SHIMANO INC. is under license. Other trademarks and trade names are those of their respective owners.

For safety, be sure to read this dealer's manual thoroughly before use, and follow it for correct use.

The following instructions must be observed at all times in order to prevent personal injury and physical damage to equipment and surroundings.

The instructions are classified according to the degree of danger or damage which may occur if the product is used incorrectly.

 DANGER	Failure to follow the instructions will result in death or serious injury.
 WARNING	Failure to follow the instructions could result in death or serious injury.
 CAUTION	Failure to follow the instructions could cause personal injury or physical damage to equipment and surroundings.

TO ENSURE SAFETY


DANGER

Be sure to also inform users of the following:

■ Handling the battery

- Do not deform, modify, disassemble, or apply solder directly to the battery. Doing so may cause leakage, overheating, bursting, or ignition.
- Do not leave the battery near sources of heat such as heaters, and do not heat the battery or throw it into a fire. Doing so may cause bursting or ignition.
- Do not throw or subject the battery to strong shock. Doing otherwise may cause it to overheat, burst, or ignite.
- Do not place the battery into fresh water or sea water, and do not allow the battery terminals to get wet. Doing otherwise may cause it to overheat, burst, or ignite.
- When charging the specified battery, use the specified battery charger for charging and observe the specified charging conditions. Doing otherwise may cause overheating, bursting, or ignition.

WARNING

- **Be sure to follow the instructions provided in the manuals when installing the product.** Only use SHIMANO genuine parts. If a component or replacement part is incorrectly assembled or adjusted, it can lead to component failure and cause the rider to lose control and crash.
-  Wear approved eye protection while performing maintenance tasks such as replacing components.
- For information on products not explained in this manual, refer to the manuals for each product.

Be sure to also inform users of the following:

- Do not pay excessive attention to the cycle computer display while riding. Doing so may result in an accident.
- Check that the wheels are fastened securely before riding the bicycle. Using the axle release lever incorrectly may cause the wheel to fall off, etc. and lead to serious injury due to a fall.
- Be sufficiently familiar with how to start the power assisted bicycle before riding on busy streets. You may start the bicycle unexpectedly, which may result in an accident.

- Ensure that head and tail lights can turn on before riding the bicycle.
- Do not disassemble the product. Disassembling may cause injury.
- Do not leave the cycle computer in an extremely high temperature surrounding environment such as in a closed vehicle on a hot day, or near a heater. If a battery is incorporated, it could result in an explosion of the built-in battery or the leakage of flammable liquid or gas.
- Do not expose the cycle computer to excessively low pressures. If a battery is incorporated, it could result in an explosion of the built-in battery or the leakage of flammable liquid or gas. Transporting this product by air is not a problem.
- When charging the battery while it is installed on the bicycle, do not move the bicycle. The battery charger's power plug may come loose and not be fully inserted into the electrical outlet, resulting in a risk of fire.
- Do not touch the drive unit when it has been continuously used for a long period of time. The surface of the drive unit becomes hot and could cause burns.

■ Lithium-ion battery

- If any liquid leaking from the battery gets into your eyes, immediately wash the affected area thoroughly with clean water such as tap water without rubbing your eyes, and seek medical attention immediately. If this is not done, the battery liquid may damage your eyes.
- Do not recharge the battery in very humid places or the outdoors. Doing so may result in electric shock.
- Do not insert or remove the plug while it is wet. Doing so may result in electric shock. If the inside of the plug is wet, dry it thoroughly before inserting it.
- If the battery does not become fully charged even 2 hours after the designated charging time, immediately unplug the battery from the electrical outlet and contact the place of purchase. Doing otherwise may cause it to overheat, burst, or ignite.
- Do not use the battery if it has any noticeable scratches or other external damage. If this is not observed, bursting, overheating or problems with operation may occur.
- Do not use it outside of the operating temperature range of the battery. If it is used or stored in temperatures which are outside these ranges, fire, injury or problems with operation may occur.
 1. During discharge: -10°C - 50°C
 2. During charging: 0°C - 40°C

■ For installation to the bicycle and maintenance

- Be sure to remove the battery and charging cable before wiring or attaching parts to the bicycle. Failure to do so may cause an electric shock.

- The two left crank screws should be tightened alternately in stages rather than each fully tightened at once. Use a torque wrench to check that the tightening torques are within the range of 12 - 14 N·m. Also, after riding approximately 100 km (60 miles), use a torque wrench to re-check the tightening torques. Thereafter, continue to check the tightening torques periodically. If the tightening torques are too weak or if the fixing screws are not tightened alternately in stages, the left crank may come off and the bicycle may fall over, and serious injury may occur as a result.
- Clean the chain with an appropriate chain cleaner regularly. Intervals between maintenance depend on the use and riding circumstances.
- Never use alkali- or acid-based solvents such as rust cleaners. If those solvents are used the chain might break and cause serious injury.

■ Disposal precautions

- Observe all federal, state and local environmental regulations when disposing of a cycle computer that incorporates a battery. Disposal of this product into fire or a hot oven, or mechanically crushing or cutting of it, can result in an explosion of the built-in battery.

CAUTION

Be sure to also inform users of the following:

- Observe the instructions in the manual for the bicycle in order to ride safely.
- Periodically check the battery charger and adapter, particularly the cord, plug, and case, for any damage. If the battery charger or adapter is damaged, consult the place of purchase.
- Use the product under the supervision of someone responsible for safety, and only as instructed. Do not allow anyone (including children) with reduced physical, sensual, or mental capacity, or those without experience or knowledge, to use the product.
- Do not allow children to play near the product.
- Never modify the system. Doing so may cause a system error.

■ Lithium-ion battery

- Do not leave the battery in a place exposed to direct sunlight, inside a vehicle on a hot day, or other hot places. This may result in battery leakage.
- If any leaked fluid gets on your skin or clothes, wash it off immediately with clean water. The leaked fluid may damage your skin.
- Store the battery in a safe place out of the reach of children.

NOTICE**Be sure to also inform users of the following:**

- If any malfunction or trouble occurs, consult the place of purchase.
- Be sure to attach dummy plugs to any unused E-TUBE ports.
- For installation and adjustment of the product, consult the place of purchase.
- The components are designed to be fully waterproofed to withstand wet weather riding conditions. However, do not deliberately place them into water.
- Do not clean the bicycle in a high-pressure wash. If water gets into any of the components, operating problems or rusting may result.
- Handle the components carefully, and avoid subjecting them to strong shock.
- Do not turn the bicycle upside down. There is a risk of damage to the cycle computer and switch unit.
- Although the bicycle still functions as a normal bicycle even when the battery is removed, the light will not turn on if it is connected to the electric power system. Be aware that using the bicycle under these conditions will be considered non-observance of the road traffic laws in Germany.
- When carrying the assist bicycle in a car, remove the battery from the bicycle and place it on a stable surface in the car.
- Before connecting the battery, make sure that there is no water collecting in the area where the battery will be connected (connector), and that it is not dirty.
- When charging the battery while it is mounted on the bicycle, be careful of the following:
 - Before charging, check that there is no water on the charging port or the plug of the battery charger.
 - Check that the battery mount is locked before charging.
 - Do not remove the battery from the battery mount while charging.
 - Do not ride with the battery charger mounted.
 - Close the cap on the charging port when not charging.
 - Fix the bicycle in place when charging, so that it does not tip over.
- It is recommended to use a SHIMANO genuine battery. If using a battery from another company, be sure to read the owner's manual thoroughly prior to use.
- Some of the important information in this dealer's manual can also be found on the device labels.

- The number written on the key of the battery mount is necessary when purchasing a spare key. Store it carefully.
- Use a damp, well wrung out cloth, when cleaning the battery and plastic cover.
- For any questions regarding methods of installation and maintenance, please contact your place of purchase.
- Contact the place of purchase for updates of the component software. The most up-to-date information is available on the SHIMANO website.
- Products are not guaranteed against natural wear and deterioration from normal use and aging.
- For maximum performance we highly recommend SHIMANO lubricants and maintenance products.

■ Connection and communication with PC

Using a PC linkage device to connect a PC to your bicycle (system or component) allows you to use E-TUBE PROJECT Professional to perform a range of tasks, such as customizing individual components or the entire system, or updating firmware.

- PC linkage device: SM-PCE02
- E-TUBE PROJECT Professional: PC application
- Firmware: Software inside each component

■ Connection and communication with smartphone

Cycle computers compatible with Bluetooth® LE can connect to E-TUBE PROJECT Cyclist installed on a smartphone. E-TUBE PROJECT Cyclist enables you to use a range of functions, such as customizing the system, or updating firmware.

- E-TUBE PROJECT Cyclist: Application for smartphones
- Firmware: Software inside each component



Disposal information for countries outside the European Union

This symbol is only valid within the European Union.

Follow local regulations when disposing of used batteries. If you are not sure, consult the place of purchase or distributor.

The actual product may differ from the illustration because this manual is intended mainly to explain the procedures for using the product.

Booklet structure

■ User's manual

SHIMANO STEPS series user's manuals are split among several booklets, as described below.

The latest manuals are available on our website (<https://si.shimano.com>).

Name	Details
SHIMANO STEPS User's Manual	This is the basic manual for the SHIMANO STEPS series. It contains the following content: <ul style="list-style-type: none"> • SHIMANO STEPS quick guide • Basic operations when riding • How to operate assist bicycles that use flat handlebars, such as city, trekking, or MTB type bicycles • General troubleshooting
SHIMANO STEPS User's Manual for Drop Handlebar Bicycles (separate booklet)	This booklet describes how to operate assist bicycles that use a drop handlebar and are controlled using dual control levers. This should be read along with the SHIMANO STEPS User's Manual.
SHIMANO STEPS Special Battery and Parts User's Manual (separate booklet)	It contains the following content: <ul style="list-style-type: none"> • How to charge and handle the SHIMANO STEPS special battery • How to attach and remove the SHIMANO STEPS special battery to the bicycle • How to use the satellite system ON/OFF switch and satellite charging port • How to read the battery LEDs when charging or during an error, and how to handle errors
SHIMANO STEPS Cycle Computer User's Manual	It contains the following content: <ul style="list-style-type: none"> • Method for configuring settings via the main body buttons and switch unit • Wireless communication method • Problems and errors / warnings and remedies
Switch Unit User's Manual	This is the assist switch and shift switch user's manual. It describes switch unit handling and operations only.

■ Dealer's manual





















SHIMANO STEPS series dealer's manuals are split among several booklets, as described below.

The latest manuals are available on our website (<https://si.shimano.com>).

Name	Details
SHIMANO STEPS Dealer's Manual (this document)	<p>This is the basic manual for the SHIMANO STEPS series.</p> <ul style="list-style-type: none"> • Overall wiring diagram • Overall flow of operations for installing the SHIMANO STEPS components to an assist bicycle • Installation / removal and maintenance of the drive unit area • Installation / removal of the speed sensor
SHIMANO STEPS Dealer's Manual for Drop Handlebar Bicycles (separate booklet)	<p>It specializes in the following information regarding assist bicycles that use a drop handlebar and are controlled using dual control levers. This should be read along with the SHIMANO STEPS Dealer's Manual:</p> <ul style="list-style-type: none"> • Overall wiring diagram • Cautions to follow when installing the drive unit
SHIMANO STEPS Special Battery and Parts Dealer's Manual (separate booklet)	<p>It contains the following content:</p> <ul style="list-style-type: none"> • How to install the battery mount • How to install the satellite system ON/OFF switch and satellite charging port
SHIMANO STEPS Cycle Computer and Switch Unit Parts Dealer's Manual	<p>It contains the following content:</p> <ul style="list-style-type: none"> • Installation and maintenance of the SHIMANO STEPS special cycle computer, special junction [A] and switch unit • How to connect to E-TUBE PROJECT Professional
SHIMANO STEPS Chain Device Dealer's Manual	<p>This manual describes the installation and maintenance of the SHIMANO STEPS special chain device.</p>

List of tools to be used

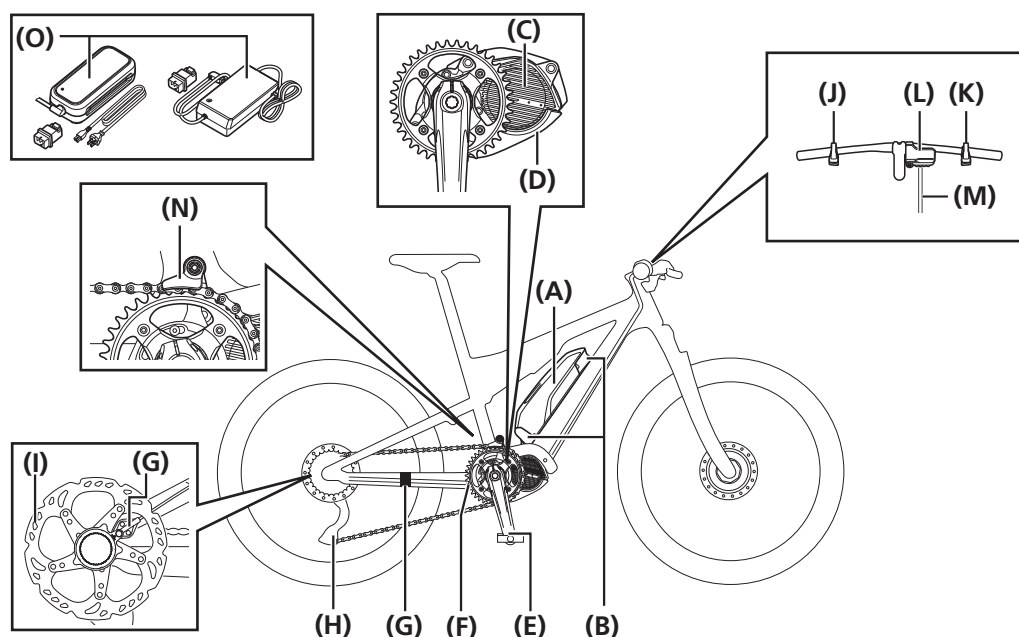
The following tools are needed for installation/removal, adjustment, and maintenance purposes.

Component	Location used/screw type		Tool
Electric wire	Plug	 / 	TL-EW02 / TL-EW300
Speed sensor (EW-SS300)	Speed sensor fixing screw	 / 	4 mm hexagon wrench / hexalobular [#25]
	Magnet unit fixing screw		Cross head screwdriver [#2]
Speed sensor (EW-SS301 / EW-SS302)	Speed sensor fixing screw		Hexalobular [#10]
Drive unit	Drive unit fixing screw	-	Contact the bicycle manufacturer.
	Drive unit cover		Cross head screwdriver [#2]
Light cable	Light cable fixing screw		Cross head screwdriver [#2]
Crank arm	Cap	 / 	TL-FC16 / TL-FC18
	Clamp screw		5 mm hexagon wrench
Chainring unit	Lock ring	 + 	TL-FC39 + TL-FC33
		 + 	TL-FC39 + TL-FC36
	Chain guard Arm cover		Cross head screwdriver [#2]
	Chainring	 +  / 	TL-FC22 + 5 mm hexagon wrench / hexalobular [#30]
Chain	Tension adjustment for internal geared hub models		TL-DUE60

Installing electrical parts

Names of parts

External type



(A)	External type battery*1	(B)	Battery mount
(C)	Drive unit	(D)	Drive unit cover (left side and bottom side)
(E)	Crank arm	(F)	Chainring unit
(G)	Speed sensor*2	(H)	Shifting unit*3
(I)	Disc brake rotor	(J)	Switch unit (assist switch)
(K)	Switch unit (shift switch) or shift lever	(L)	Cycle computer or junction [A]
(M)	Electric wire	(N)	Chain device
(O)	Battery charger		

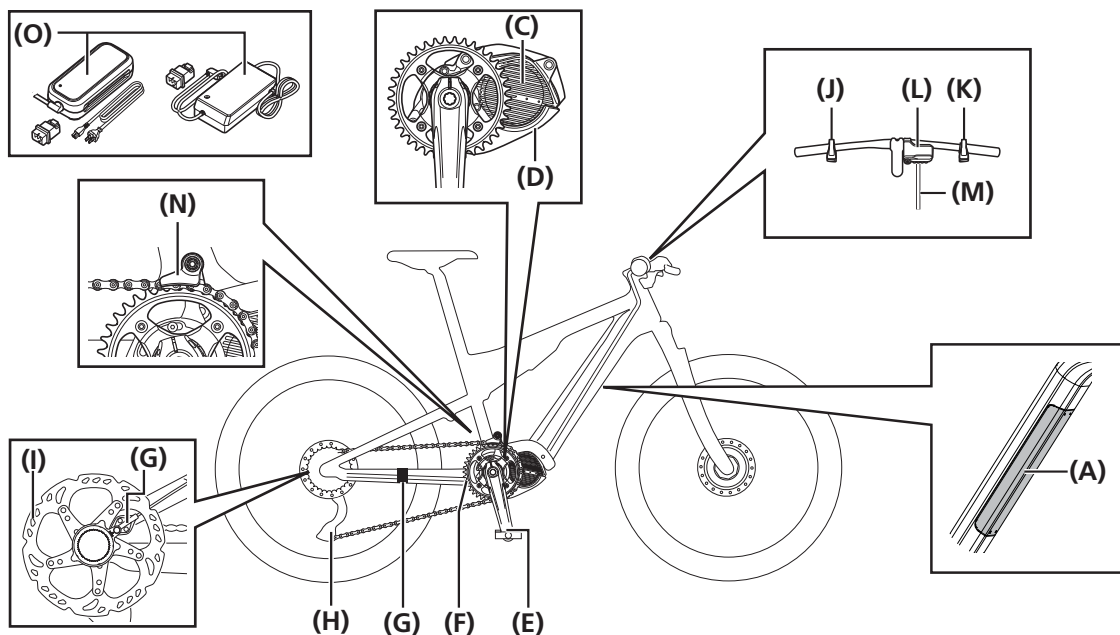
*1 Depending on the frame, the battery may be installed at a location different from the position specified in the figure.

*2 Attach it to one of the two locations specified in the figure.

*3 Electronic gear shifting: Di2 rear derailleur or motor unit + Di2 internal geared hub

Mechanical gear shifting: rear derailleur or internal geared hub

Internal type



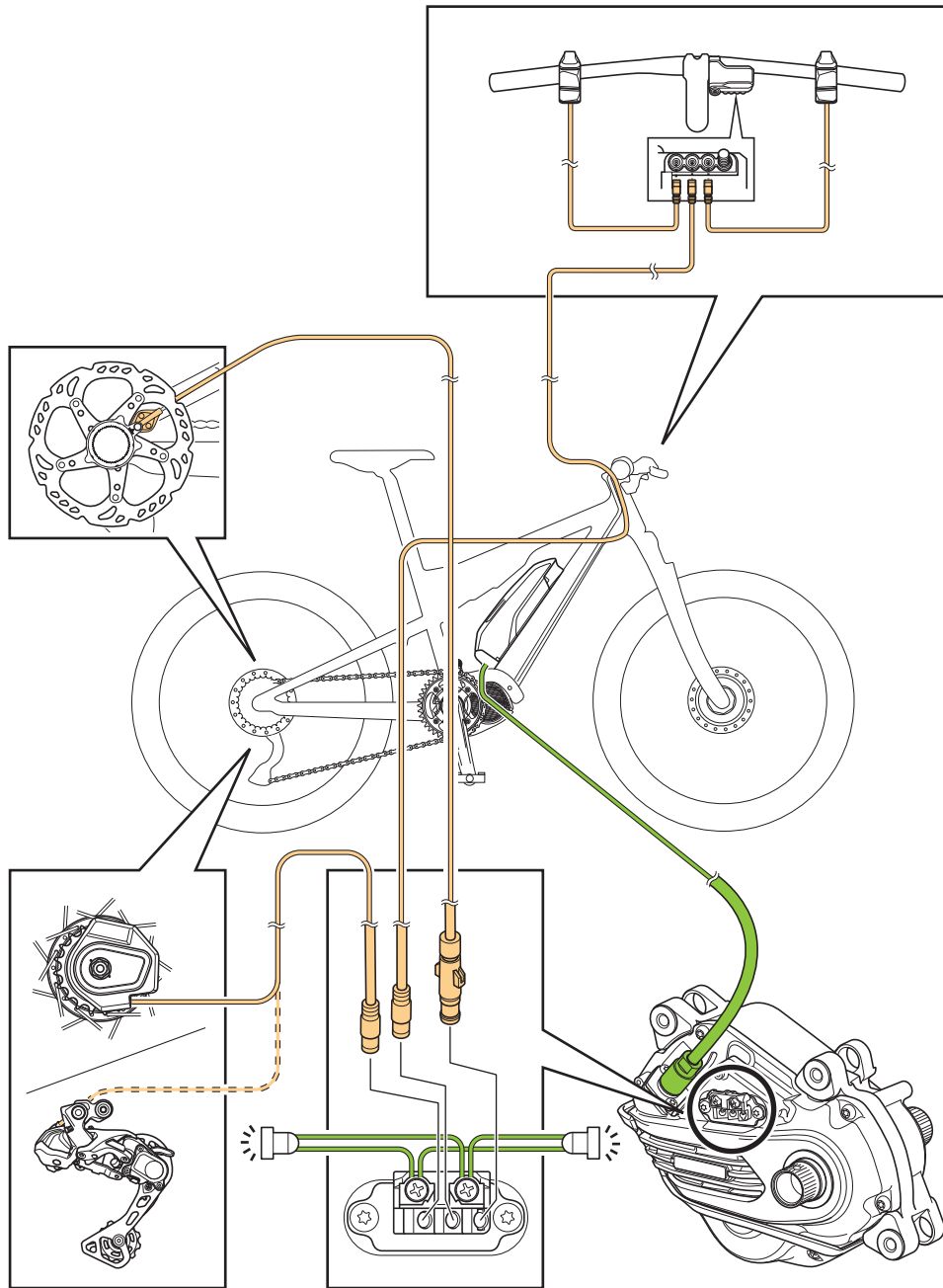
(A)	Internal type battery*1	(B)	Battery mount*1
(C)	Drive unit	(D)	Drive unit cover (left side and bottom side)
(E)	Crank arm	(F)	Chaining unit
(G)	Speed sensor*2	(H)	Shifting unit*3
(I)	Disc brake rotor	(J)	Switch unit (assist switch)
(K)	Switch unit (shift switch) or shift lever	(L)	Cycle computer or junction [A]
(M)	Electric wire	(N)	Chain device
(O)	Battery charger		

*1 Attach the battery mount and battery inside the frame. Depending on the assist bicycle, the battery may be installed at a location different from the position specified in the figure.

*2 Attach it to one of the two locations specified in the figure.

*3 Electronic gear shifting: Di2 rear derailleur or motor unit + Di2 internal geared hub
 Mechanical gear shifting: rear derailleur or internal geared hub

Overall wiring diagram



NOTICE

- The maximum electric wire length between components is 1,600 mm. Ensure that the total length is 1,600 mm or less when connecting via a junction [B] or conversion adapter.

Specifications

Operating temperature range: Discharging	-10 - 50°C	Battery type	Lithium-ion battery
Operating temperature range: Charging	0 - 40°C	Nominal capacity	Refer to the "SHIMANO STEPS Special Battery and Parts User's Manual."
Storage temperature	-20 - 70°C	Rated voltage	36 V DC
Storage temperature (battery)	-20 - 60°C	Drive unit type	Midship
Charging voltage	100 - 240 V AC	Motor type	Brushless DC
Charging time	Refer to the "SHIMANO STEPS Special Battery and Parts User's Manual."	Rated drive unit power	250 W

TECH TIPS

- The maximum speed provided by assist is set by the manufacturer, but may vary depending on the conditions under which the bicycle is used.
- The latest manual information can be accessed on our website (<https://si.shimano.com>).

Electric wires

There are two types of electric wire: the EW-SD300 and the EW-SD50. The supported electric wire differs based on the component model. Check the component specifications on the SHIMANO product website in advance (<https://productinfo.shimano.com/>).

Supported products

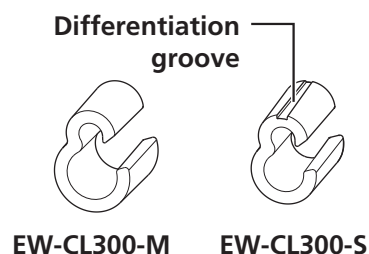
The following products support each type of electric wire.

Product name	Intended purpose	EW-SD300 type	EW-SD50 type
SHIMANO original tool	Connecting / disconnecting the electric wires	TL-EW300	TL-EW02
Dummy plug	Blocking empty ports	Y7HE30000	Y6VE15000

Product name	Intended purpose	EW-SD300 type	EW-SD50 type
Cord clip	Binding the wiring and the outer casing / brake hose together	EW-CL300-S (for shift outer casing) EW-CL300-M (for brake outer casing and brake hose)	Y70H98040
Cord cover	Supporting / protecting the electric wire (external wiring)	EW-CC300	SM-EWC2
Grommet	Installing to the wire insertion hole of a frame that supports internal wiring	EW-GM300-S EW-GM300-M	SM-GM01 SM-GM02
Cord band	Supporting the electric wire (flat handlebar external wiring)	EW-CB300-S EW-CB300-M EW-CB300-L	SM-EWE1
Junction [A] (for Di2)	Gathering the wiring around the cockpit. Also has functions for changing the shift mode, etc.	-	EW-RS910 SM-EW90-A SM-EW90-B
Junction [B]	Conjoining the wiring inside and outside the frame	EW-JC304 EW-JC302	SM-JC41 SM-JC40 EW-JC200 EW-JC130
Conversion adapter	Refer to the "Conversion adapter" section.	EW-AD305	EW-AD305

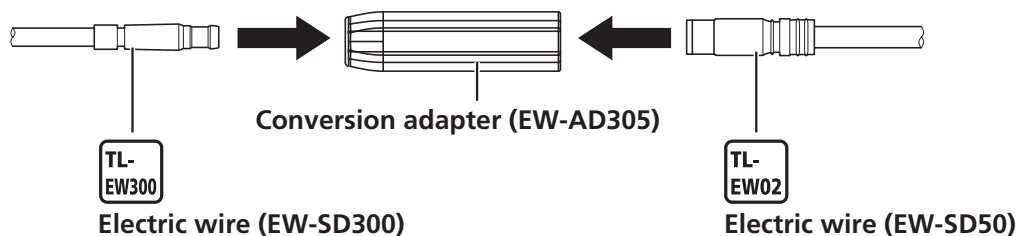
NOTICE

- The SHIMANO original tool used for installation/removal and the accessories used for wiring differ for the EW-SD300 and EW-SD50. Be sure to use a compatible product.
- EW-CL300-S is marked with a groove in order to differentiate it from EW-CL300-M.



Conversion adapter

A conversion adapter (EW-AD305) is required to connect the EW-SD50 to a component with an E-TUBE port for the EW-SD300.



Connecting/disconnecting the electric wires

Be sure to use the SHIMANO original tool to remove and insert electric wires.

NOTICE

- When connecting and disconnecting electric wires, do not forcibly bend the plug part. It may result in a poor connection.

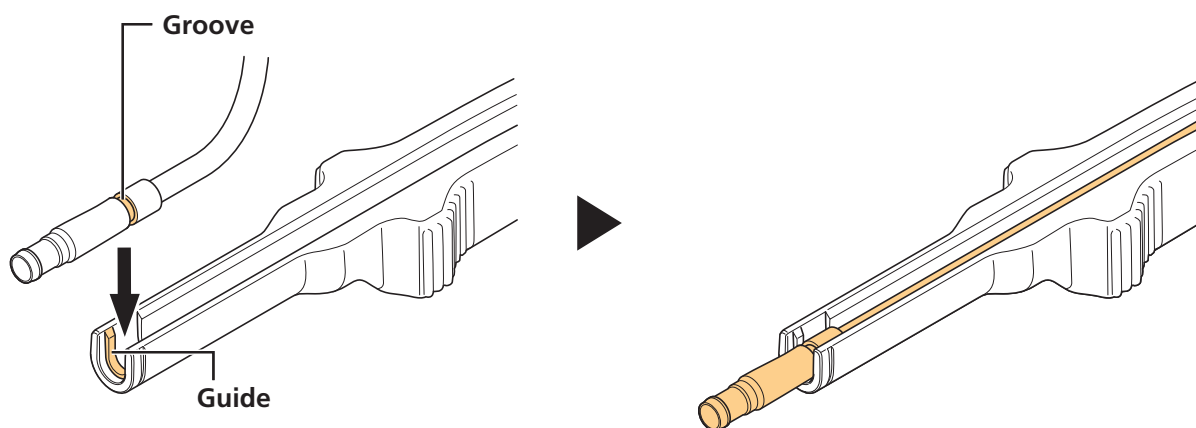
▶ Connecting the electric wire (EW-SD300)

Connect the electric wire to the E-TUBE port.

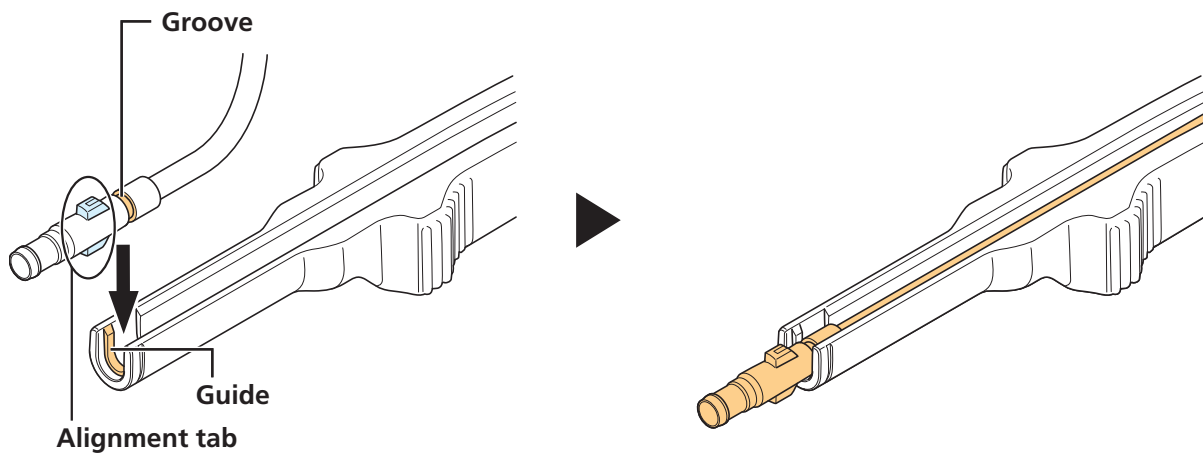
1. Set the plug of the electric wire to the TL-EW300.

If there is an alignment tab on the plug of the electric wire, check the shape of the E-TUBE port you are trying to connect to, and set it aligned with the alignment tab.

Without alignment tab on plug

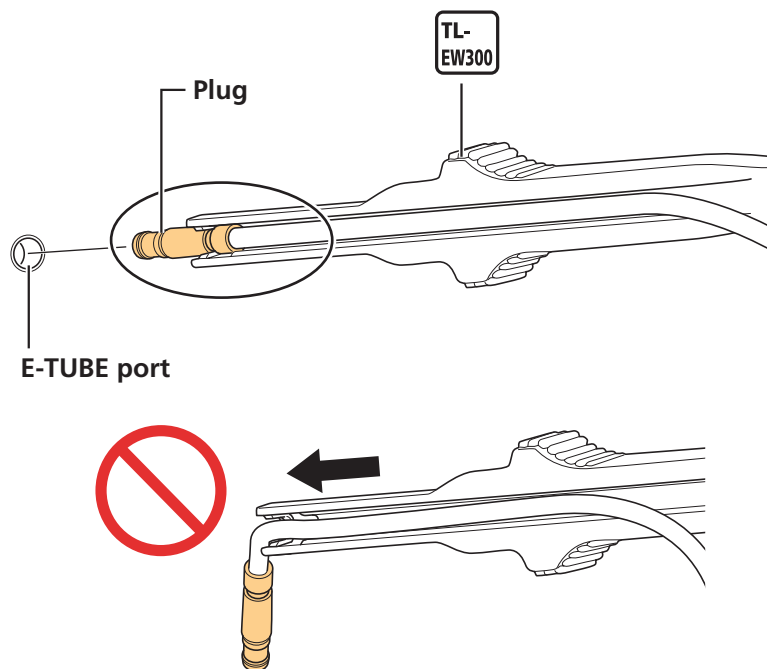


With alignment tab on plug



2. Insert the plug on the electric wire into the E-TUBE port.

Push it straight in until you feel it click into place.



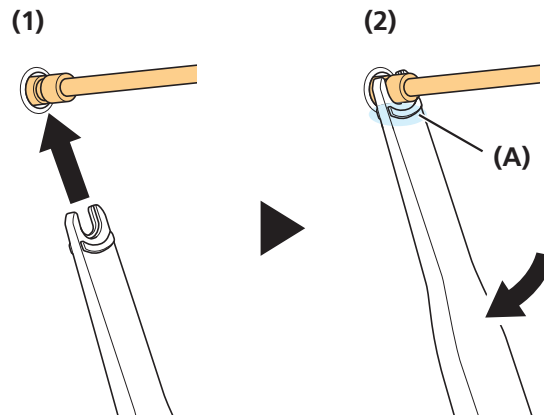
▶ Removing the electric wire (EW-SD300)

1. Remove the electric wire.

(1) Insert the TL-EW300 into the groove on the plug part of the electric wire.

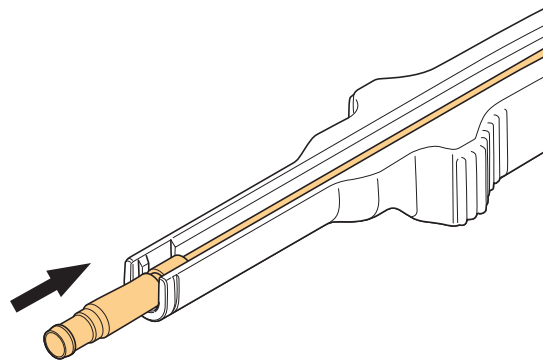
(2) Disconnect the electric wire from the E-TUBE port.

* As shown in the figure, use part (A) of the TL-EW300 as a fulcrum, move the tool like a lever, then disconnect the plug part.



TECH TIPS

- If there is limited space to insert the tool, you can use the TL-EW300 as indicated in the figure to disconnect the electric wire.



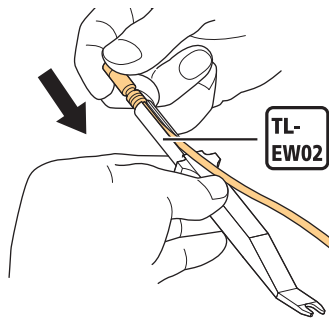
▶ Connecting the electric wire (EW-SD50)

Connect the electric wire to the E-TUBE port.

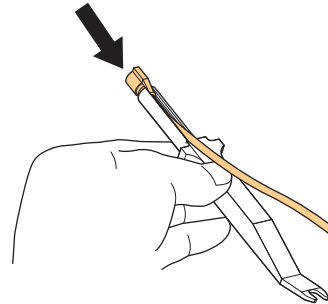
1. Set the plug of the electric wire to the TL-EW02.

If there is an alignment tab on the plug of the electric wire, set it aligned with the groove on the SHIMANO original tool.

Without alignment tab on plug

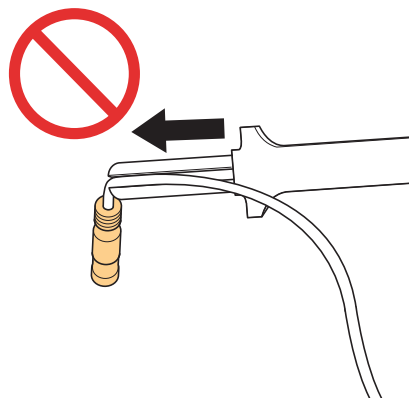
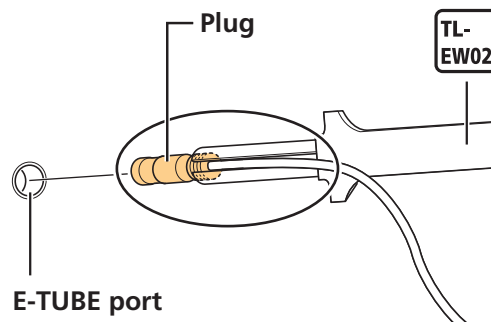


With alignment tab on plug



2. Insert the plug on the electric wire into the E-TUBE port.

Push it straight in until you feel it click into place.



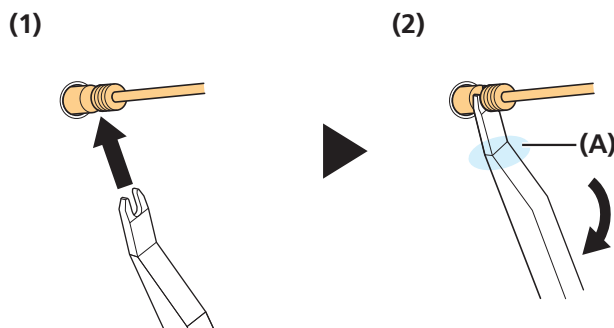
▶ Removing the electric wire (EW-SD50)

1. Remove the electric wire.

(1) Insert the TL-EW02 into the groove on the plug of the electric wire.

(2) Disconnect the electric wire from the E-TUBE port.

* As shown in the figure, use part (A) of the TL-EW02 as a fulcrum, move the tool like a lever, then disconnect the plug part. If there is limited space to insert the tool, lift the TL-EW02 straight up and disconnect the electric wire.



Installing cockpit peripheral components

Refer to the "SHIMANO STEPS Cycle Computer and Switch Unit Parts Dealer's Manual."

Installing the battery mount and parts

Refer to the "SHIMANO STEPS Special Battery and Battery Charger Parts Dealer's Manual."

Installing the speed sensor

NOTICE

- For details on the compatibility of the speed sensor and drive unit, refer to the compatibility information (<https://productinfo.shimano.com/#/com>).

Generic type

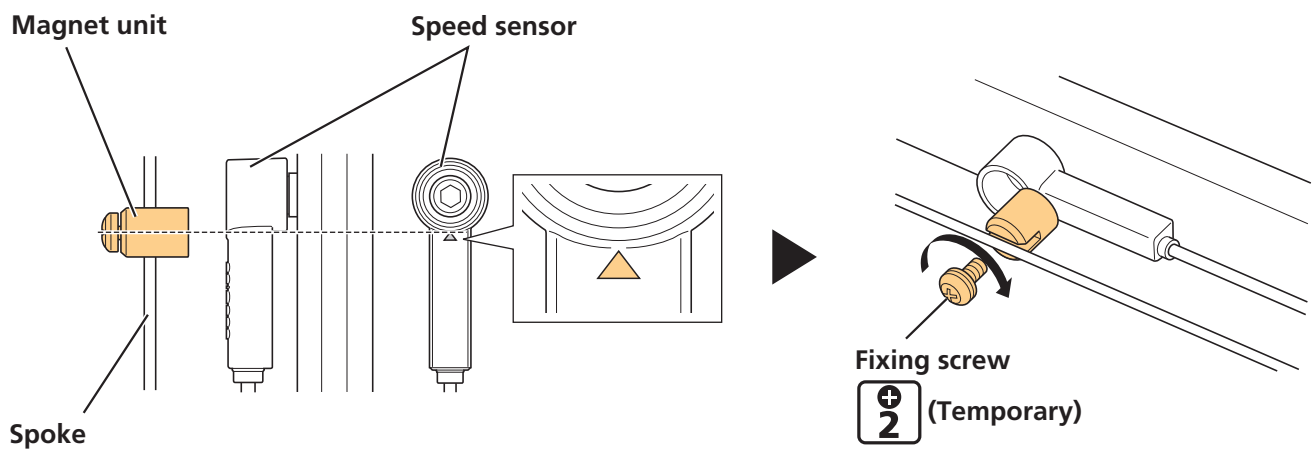
For model: EW-SS300 (SD300 type)

The generic type speed sensor can be installed regardless of the type of brake, such as rim brake, roller brake, or coaster brake. Install the magnet unit on a spoke on the rear wheel.

1. Temporarily install the magnet unit to the spoke.

- (1) Hold the speed sensor in its installation position on the frame and determine the installation location of the magnet unit. The center of the magnet unit should be aligned with the tip of the Δ marking on the speed sensor.

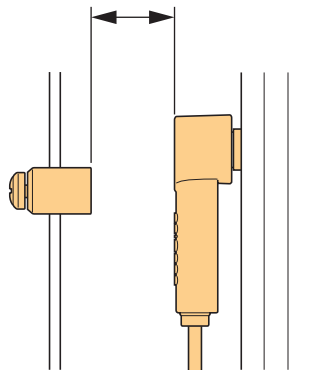
(2) Temporarily install the fixing screw.



2. Install the speed sensor.

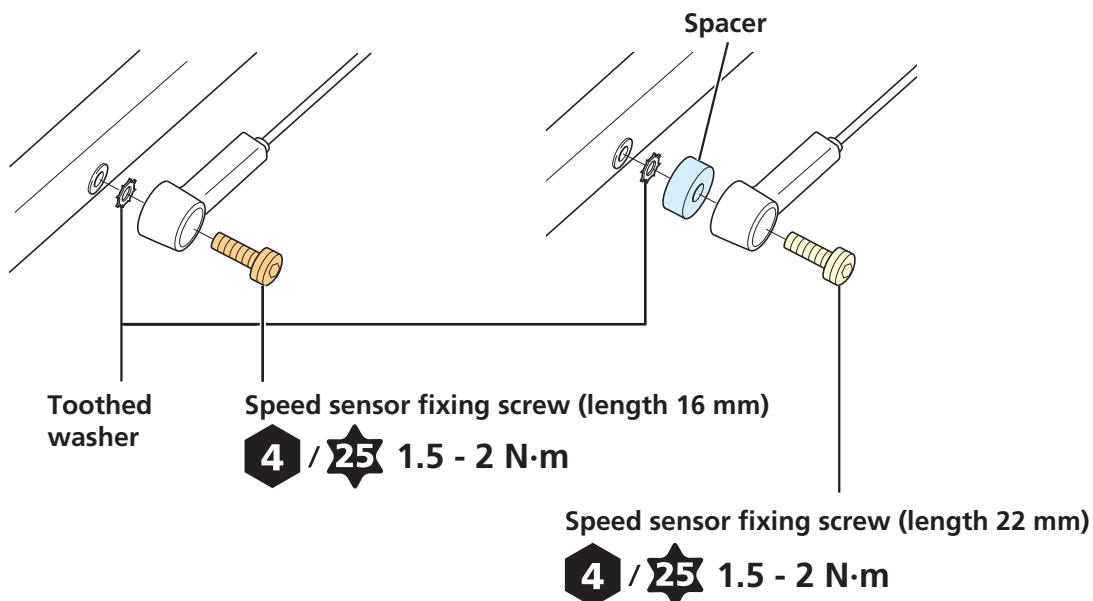
Check that the clearance between the speed sensor and magnet unit is from 3 - 17 mm.

Clearance between speed sensor and magnet unit
3 - 17 mm

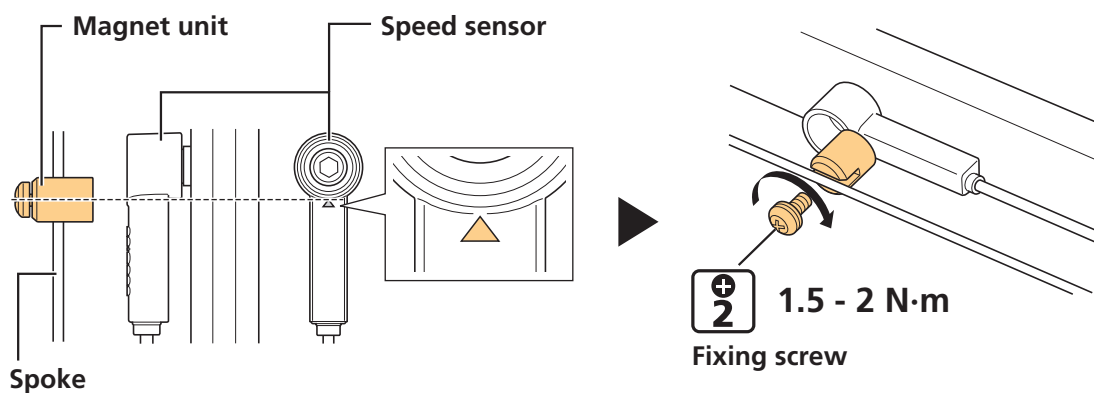


Clearance between speed sensor and magnet unit is 3 to 17 mm

Clearance between speed sensor and magnet unit exceeds 17 mm



3. Secure the magnet unit.



4. Route the electric wire for the speed sensor to the frame along the chainstay and wire it to the drive unit.

Type designed exclusively for use with a disc brake rotor with magnet unit

For model: EW-SS301 (SD300 type)

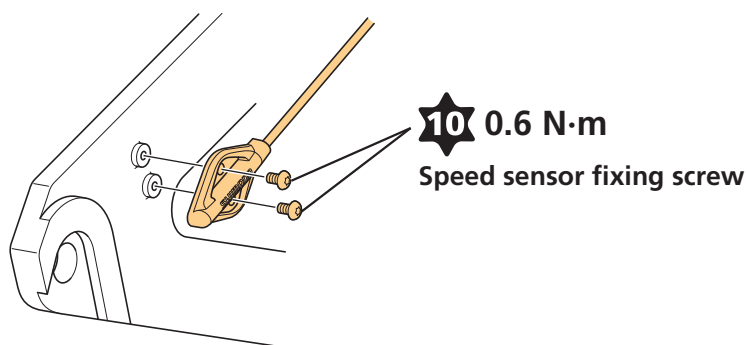
Use in combination with a disc brake rotor with magnet unit (rear wheel only).

1. Install the disc brake rotor to the wheel.

- Refer to the "Disc Brake" chapter of General Operations for the installation method.

- The disc brake rotor with magnet unit is the internal spline type. Install it using the TL-LR15 SHIMANO original tool.

2. Install the speed sensor to the frame.



3. Affix the wire for the speed sensor to the chainstay and wire it to the drive unit.

4. Install the rear wheel in the frame.

Type designed exclusively for use with a lock ring with magnet

For model: EW-SS302

Use in combination with a disc brake rotor (rear wheel only) secured with a lock ring with magnet.

TECH TIPS

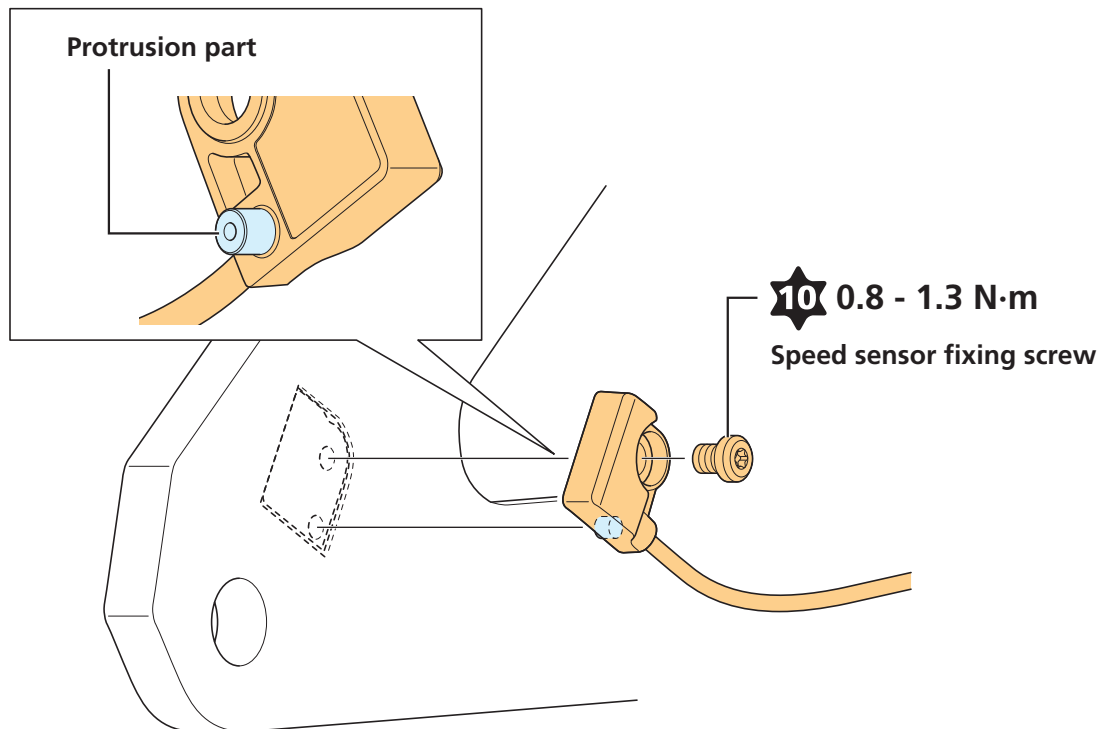
- For details on disc brake rotors that have a lock ring with magnet, check the SHIMANO product website (<https://productinfo.shimano.com/>).

1. Install the disc brake rotor to the wheel using the lock ring with magnet.

- Refer to the "Disc Brake" section of General Operations for the installation method.
- The lock ring with magnet is the internal spline type. Install it using the TL-LR15 SHIMANO original tool.

2. Install the speed sensor to the frame.

Insert the protrusion part of the speed sensor into the frame, and secure the speed sensor.



3. Affix the wire for the speed sensor to the chainstay and wire it to the drive unit.

4. Install the rear wheel in the frame.

Installing the drive unit and peripheral parts

Use the following procedure to install the drive unit and peripheral parts:

- (1) Installing the drive unit
- (2) Wiring to the drive unit
- (3) Installing the drive unit cover
- (4) Installing the chainring unit and crank arms

TECH TIPS

- To check the wiring of the drive unit on a completed bicycle, you will need to first remove the drive unit cover. Remove the left cover to access the power cord and terminal block.

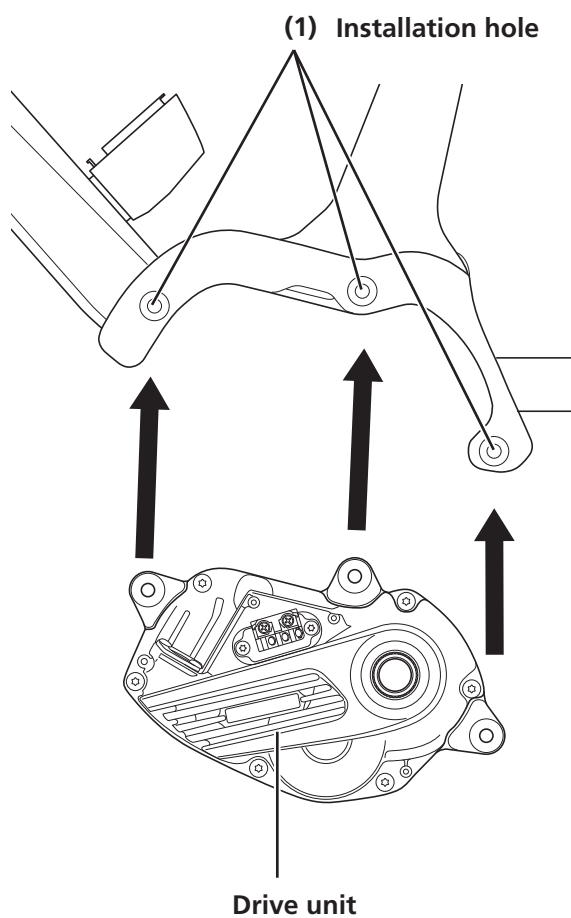
Installing the drive unit

Before installing the drive unit to the frame, first check that all the wires that connect to the drive unit have been routed to the drive unit installation area.

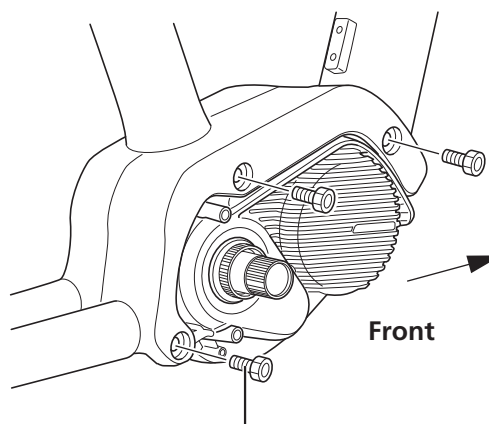
1. Secure the drive unit.

- (1) Set the drive unit to the installation area of the frame.
- (2) Tighten the fixing screws on the right side so that the drive unit makes firm contact with the inner surface on the right side of the frame.

(3) Tighten the fixing screws on the left side of the frame.



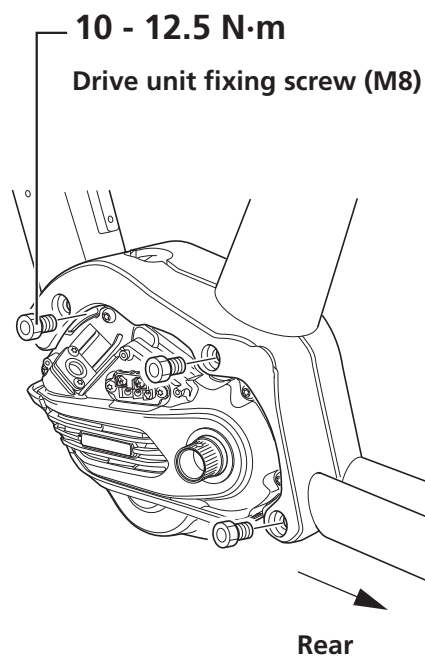
(2)
Right side



10 - 12.5 N·m

Drive unit fixing screw (M8)

(3)
Left side



NOTICE

- Drive unit fixing screws (M8) are not included with SHIMANO products. Use the screws supplied by the bicycle manufacturer.

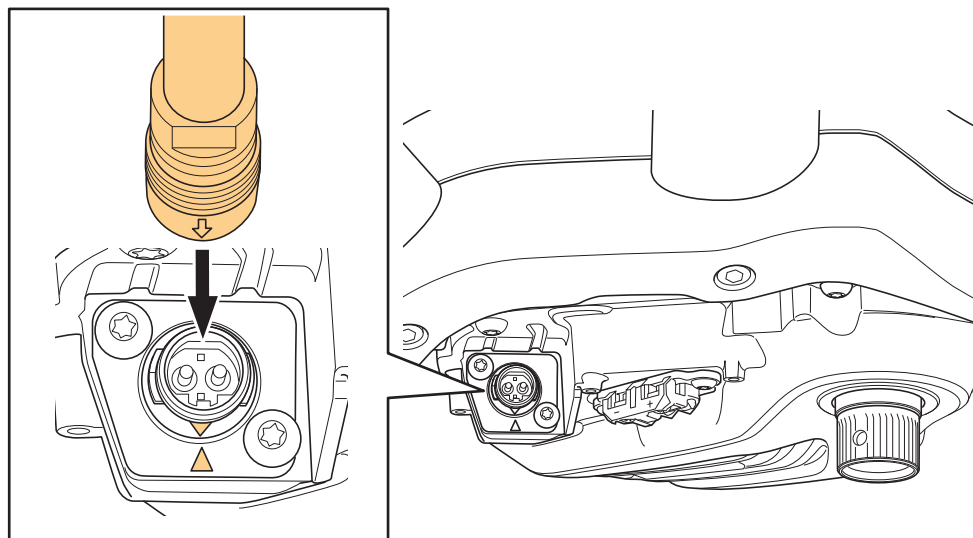
Connecting the power cord

Connection method

1. Connect the power cord.

Align the Δ marking on the drive unit's power port with the arrow marking on the tip of the power cord, then insert the power cord until you feel a click.

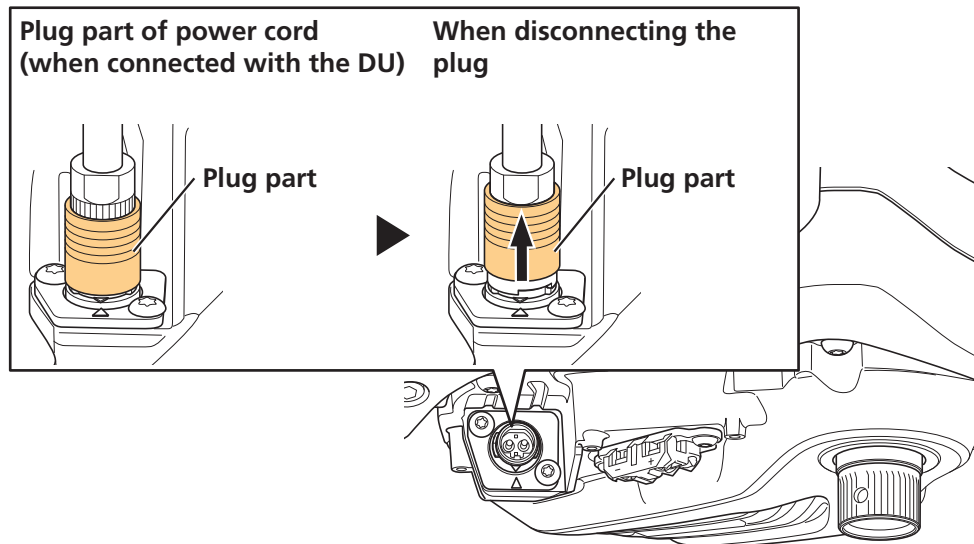
* Check that it is securely connected.



Removal method

1. Remove the power cord.

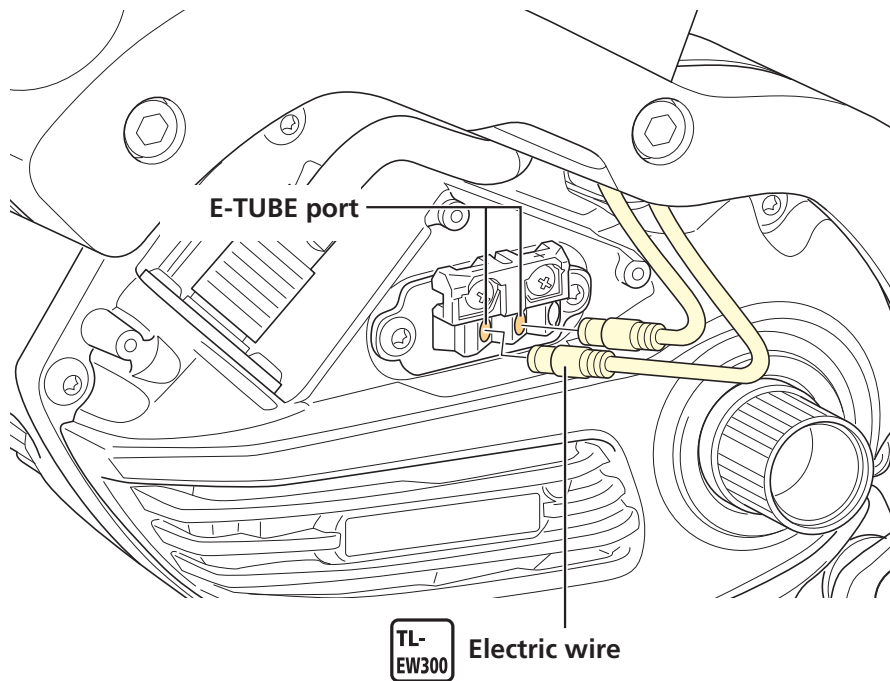
Hold the groove on the plug and slide the tip of the plug to pull it out, as shown in the figure.



Connecting cockpit peripheral parts and electronic gear shifting components

Connect wires from the cycle computer and electronic gear shifting components to the drive unit's terminal block.

1. Connect the electric wires to the drive unit's E-TUBE ports.



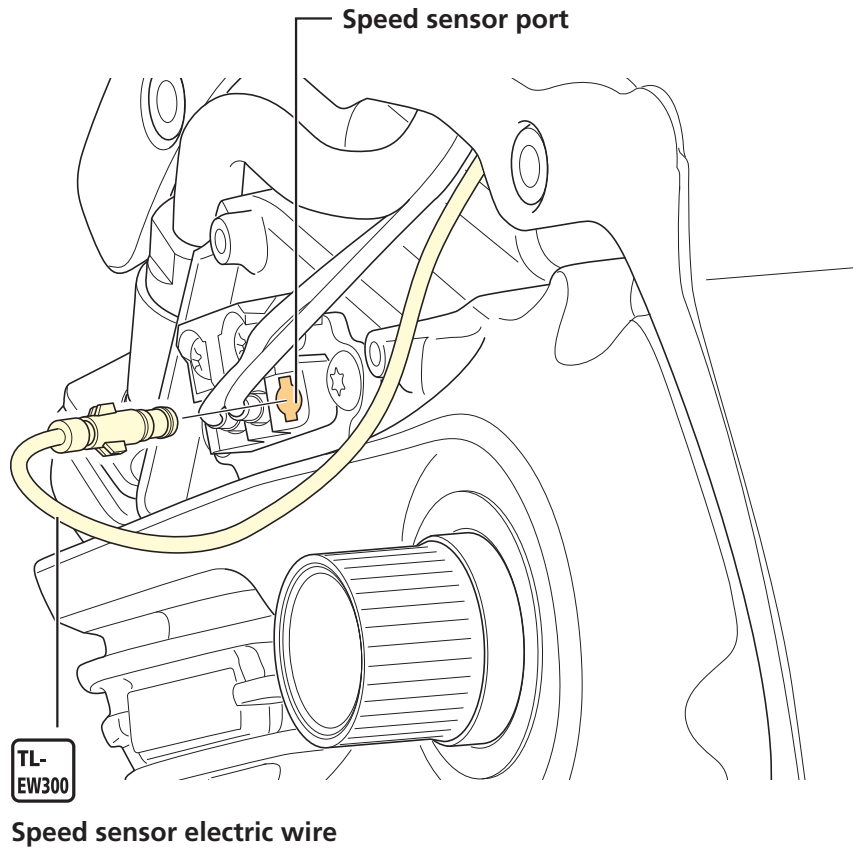
NOTICE

- Be sure to attach dummy plugs to any unused E-TUBE ports.

Connecting the speed sensor

Connect the speed sensor's electric wire to the drive unit's terminal block.

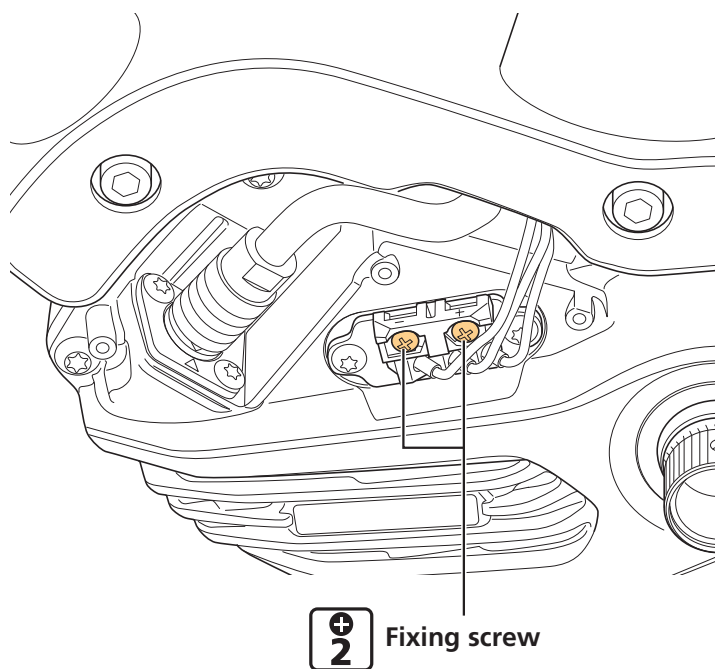
1. Connect the electric wire to the drive unit's speed sensor port.



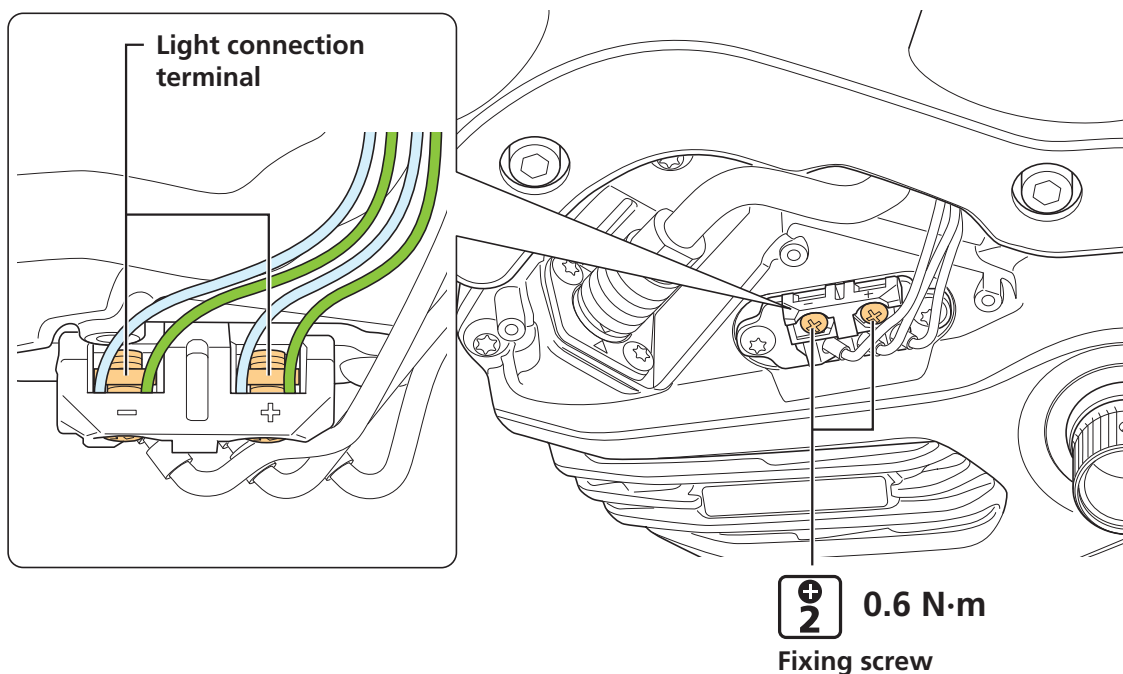
Connecting the light cables

Connect the wires connected to the front and rear lights to the drive unit.

1. Loosen the fixing screws.



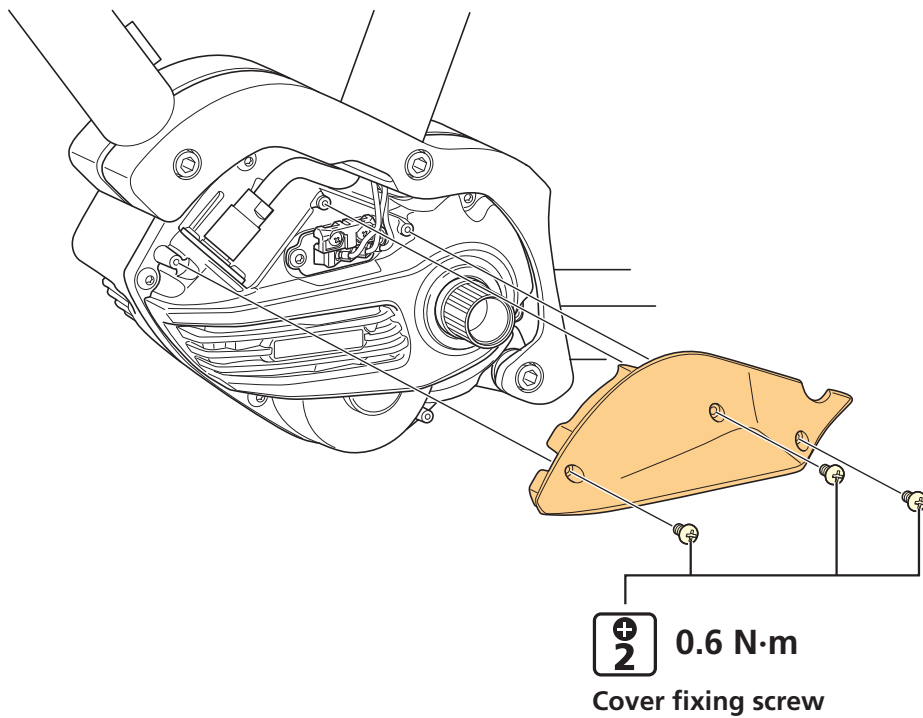
2. Connect the light cables to the light connection terminals, then tighten the fixing screws.



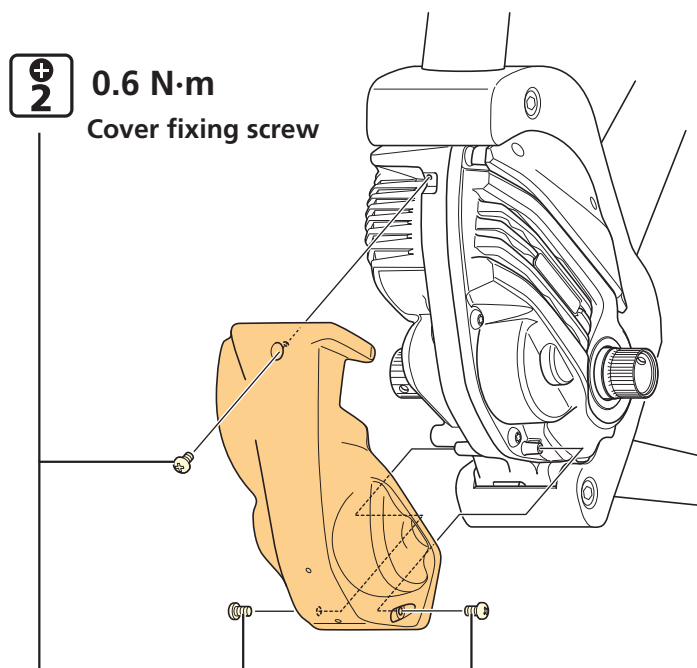
Installing the drive unit cover

- The appearance of the drive unit cover differs depending on the model, but the installation method is the same.
- When also using a drive unit cover from another company, refer to the manual for the frame.

1. Install the left cover.



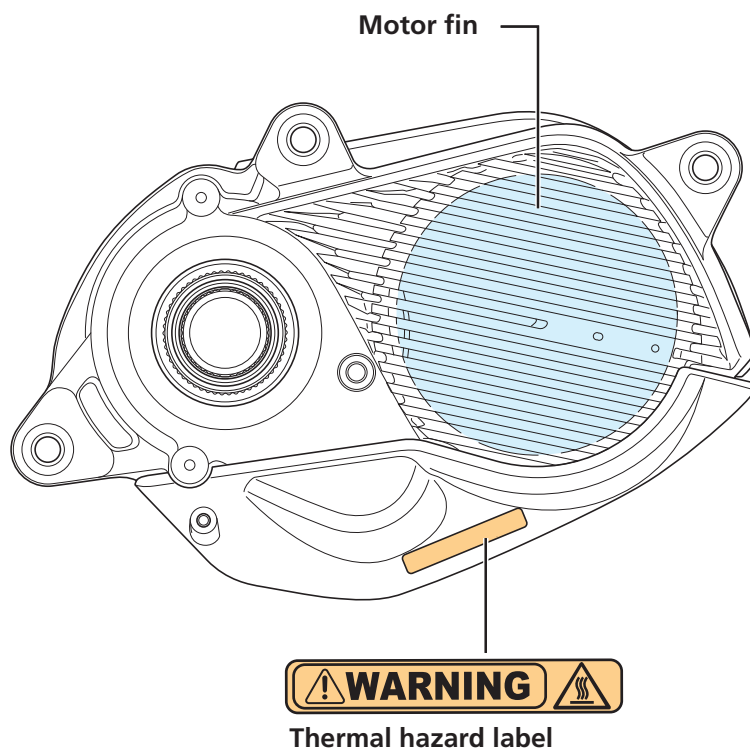
2. Install the guard.



Affixing the thermal hazard label

A thermal hazard label is affixed to the position shown in the figure on the guard (DC-EP800-G: SHIMANO drive unit cover).

For bicycles that use custom covers from another company, refer to the position shown in the figure to affix the thermal hazard label included with the DU-EP800 to a visible location around the motor fins.



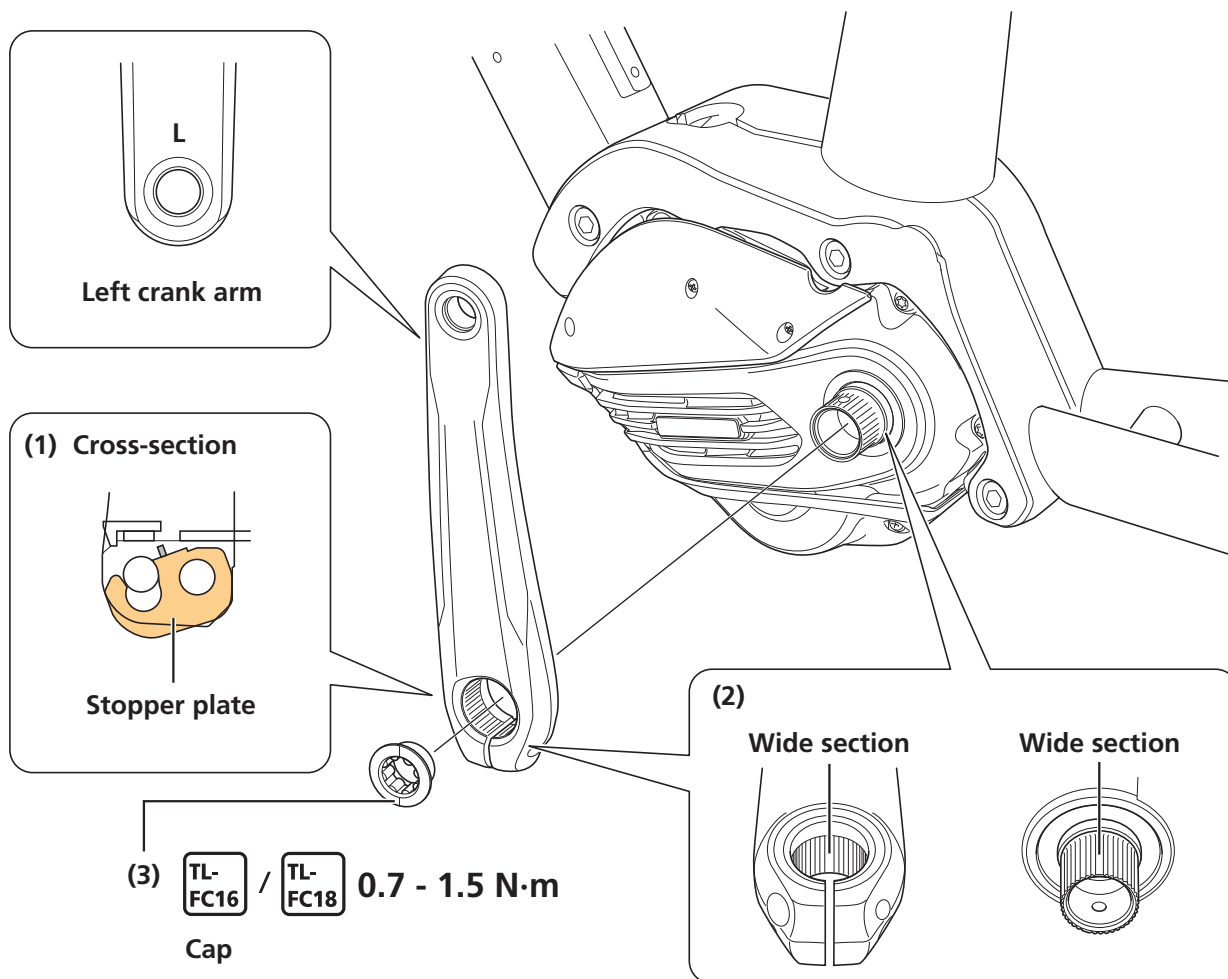
Installing the chainring unit and crank arms

Install the rear wheel in the frame prior to performing the following procedures.

1. Set the left crank arm.

- (1) Check that the stopper plate on the left crank arm is sticking out.
- (2) Install the left crank arm so the wide part of its spline is aligned with the wide part of the spline on the crank axle.

(3) Tighten the cap.

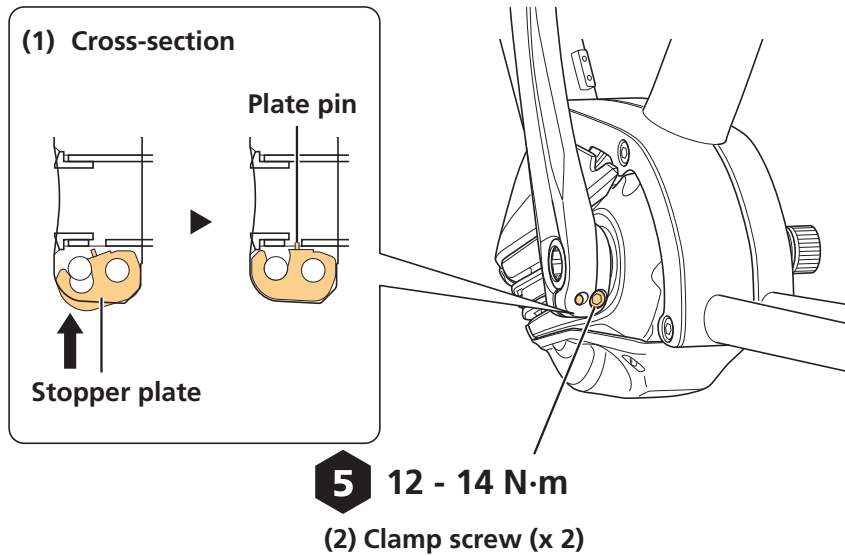


2. Secure the left crank arm.

(1) Press the stopper plate in.

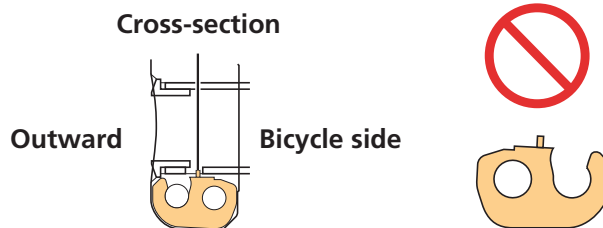
* Check that the plate pin is firmly engaged.

(2) Tighten both clamp screws alternately and equally to the specified tightening torque.



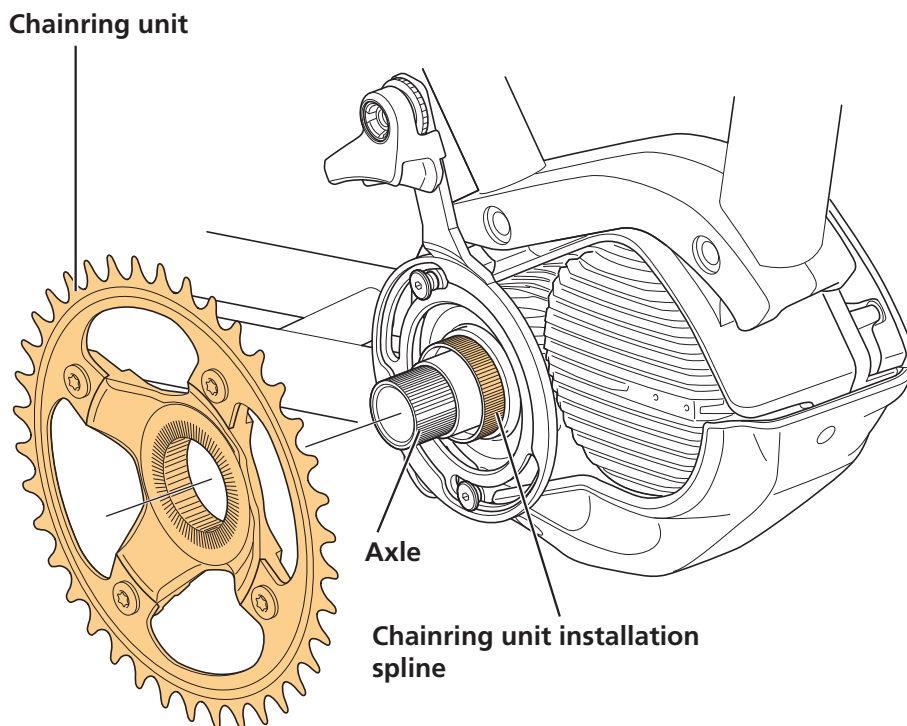
NOTICE

- Set the stopper plate in the correct direction as shown in figure. For the left crank arm, the figure depicts the part as looking from the back of the bicycle.



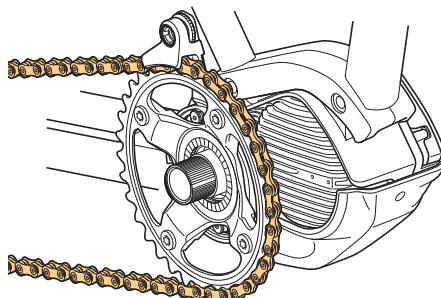
- When installing the chain device, refer to the “SHIMANO STEPS Chain Device Dealer's Manual” before installing the chainring using the following procedures.
- When installing the chain device, special fixing screws for magnesium products are required. Make sure to use the fixing screws included with the drive unit.

3. Install the chainring unit.



4. Install the chain.

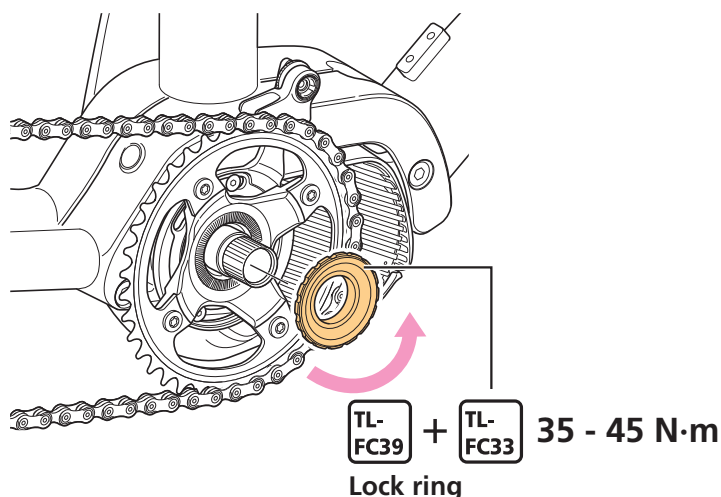
Refer to the dealer's manual for the chain to use.



5. Secure the chainring unit.

(1) Install the lock ring (left-hand thread) by hand.

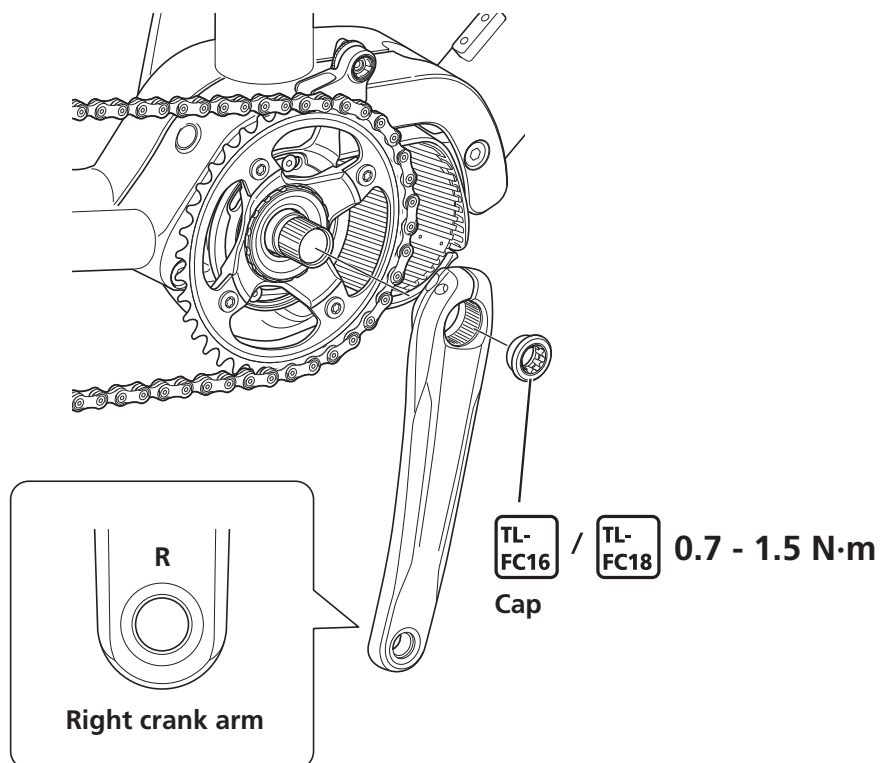
(2) Tighten the lock ring while holding the left crank stable.



NOTICE

- Do not use an impact wrench.

6. Set the right crank arm and tighten the cap.

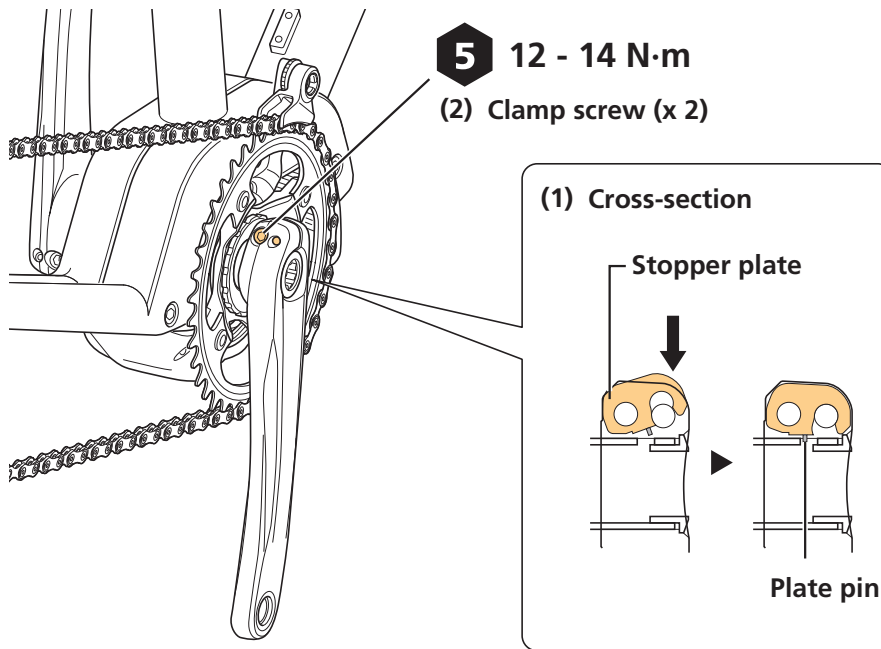


7. Secure the right crank arm.

(1) Press the stopper plate in.

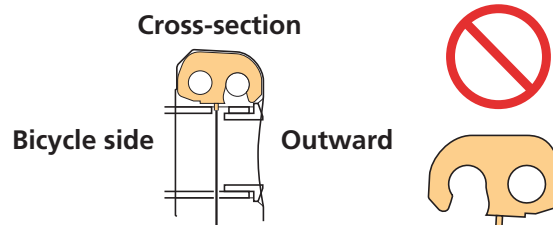
* Check that the plate pin is firmly engaged.

(2) Tighten both clamp screws alternately and equally to the specified tightening torque.



NOTICE

- The two screws should be tightened alternately in stages rather than each screw being fully tightened at once.
- Set the stopper plate in the correct direction as shown in figure.

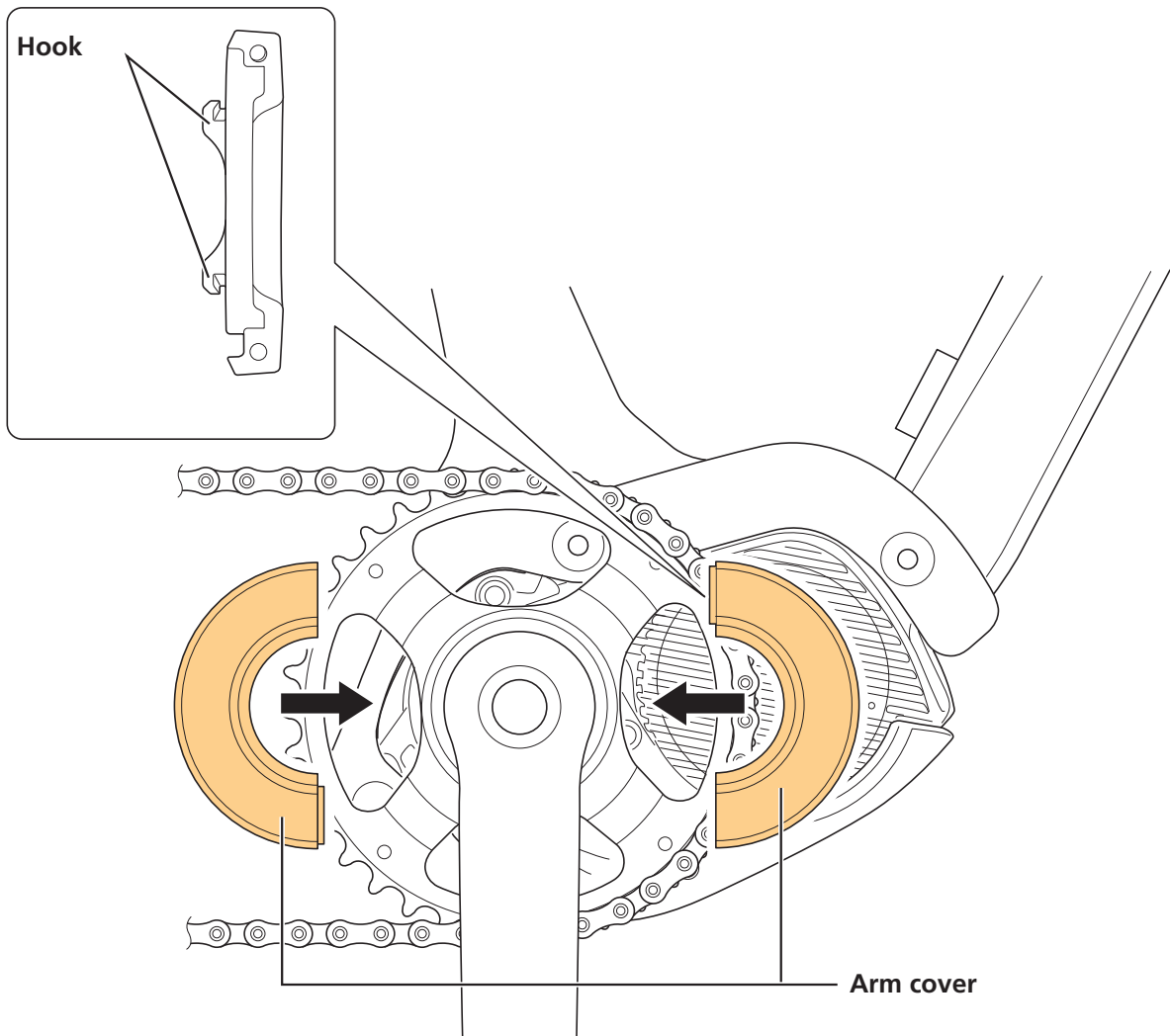


Installing the arm covers

If arm covers are included with the chainring, install the arm covers after installing the chainring to the drive unit.

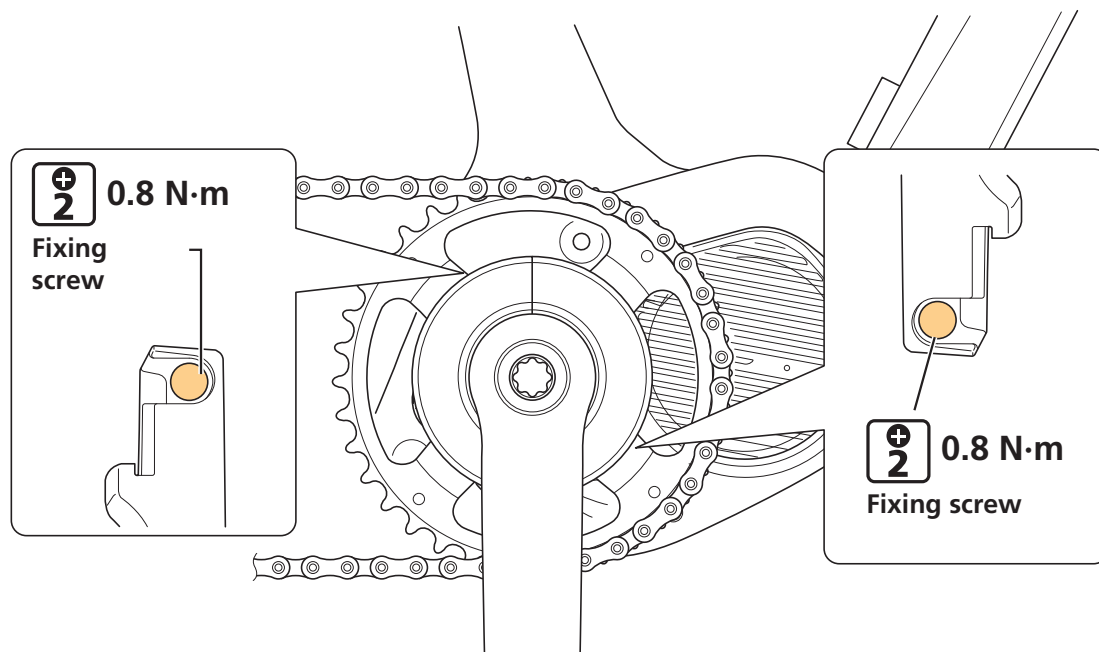
1. Install the arm covers to the left and right sides of the chainring.

Install so that the hooks catch the spider arm on the chainring.



2. Tighten the two fixing screws from the left and right.

For internal geared hub models, proceed to “Measuring and adjusting the chain tension.”



Measuring and adjusting the chain tension

The chain tension must be adjusted for internal geared hub models.

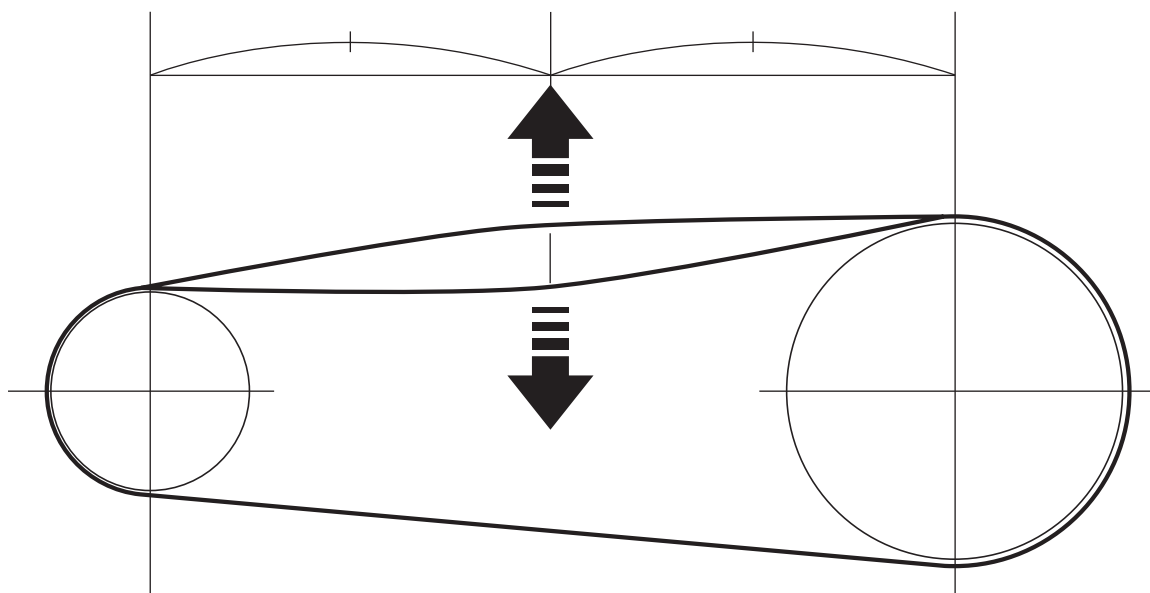
NOTICE

- The proper level of assistance may not be achieved if the chain tension is too high.

Manual adjustment

1. Check and adjust the chain tension.

Pull the upper side of the chain up and down with a force of approximately 10 N (1 kgf), roughly in the middle between the drive unit axle and rear wheel axle. Adjust the chain tension so that the chain has a slack of 15 mm or more.



Measuring and adjusting with TL-DUE60

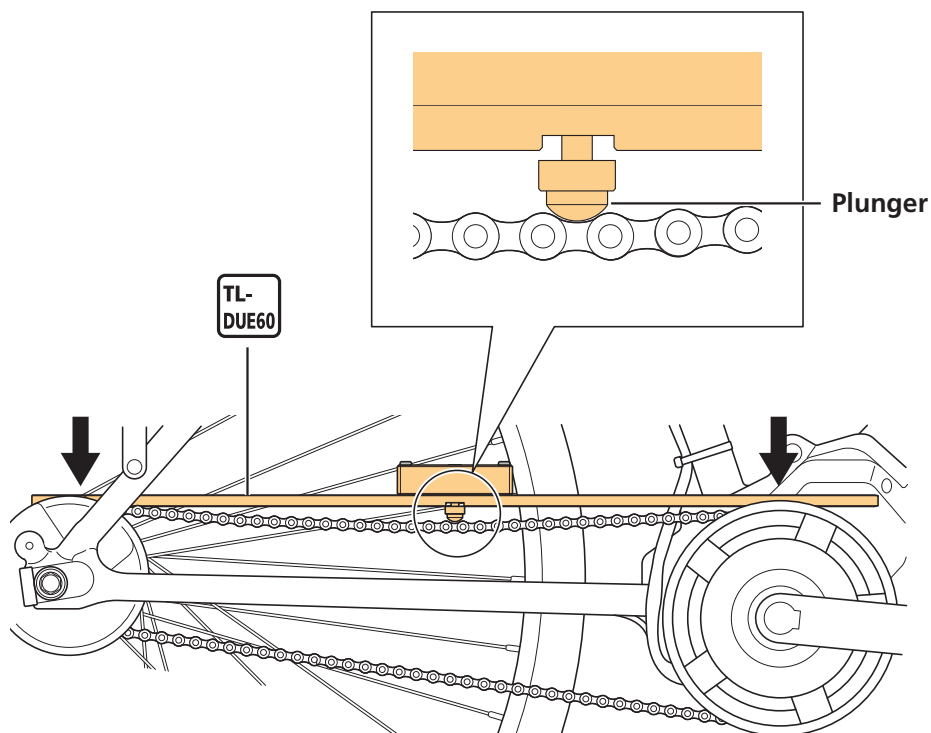
When using chain tension measurement tool TL-DUE60, you can measure and adjust the chain tension from either the top or bottom of the chain.

▶ Measuring and adjusting from the upper side of the chain

1. Set TL-DUE60.

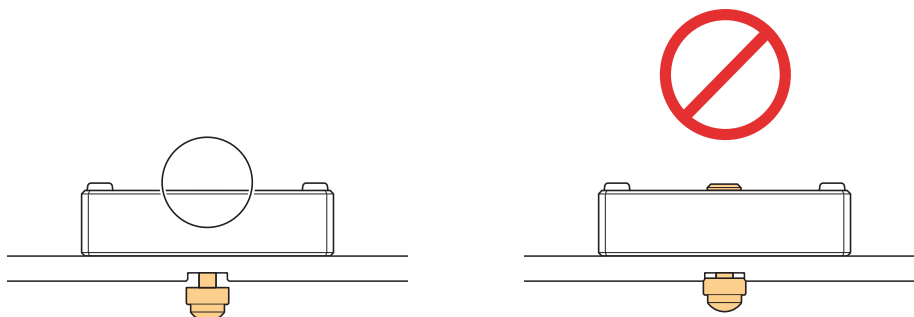
- (1) Set TL-DUE60 to the upper side of the chain.

(2) Push TL-DUE60 down, and make it touch the chainring and rear sprocket.



2. Adjust the chain tension so the plunger depresses slightly.

Make sure the top of the plunger does not stick out of the top of the frame.

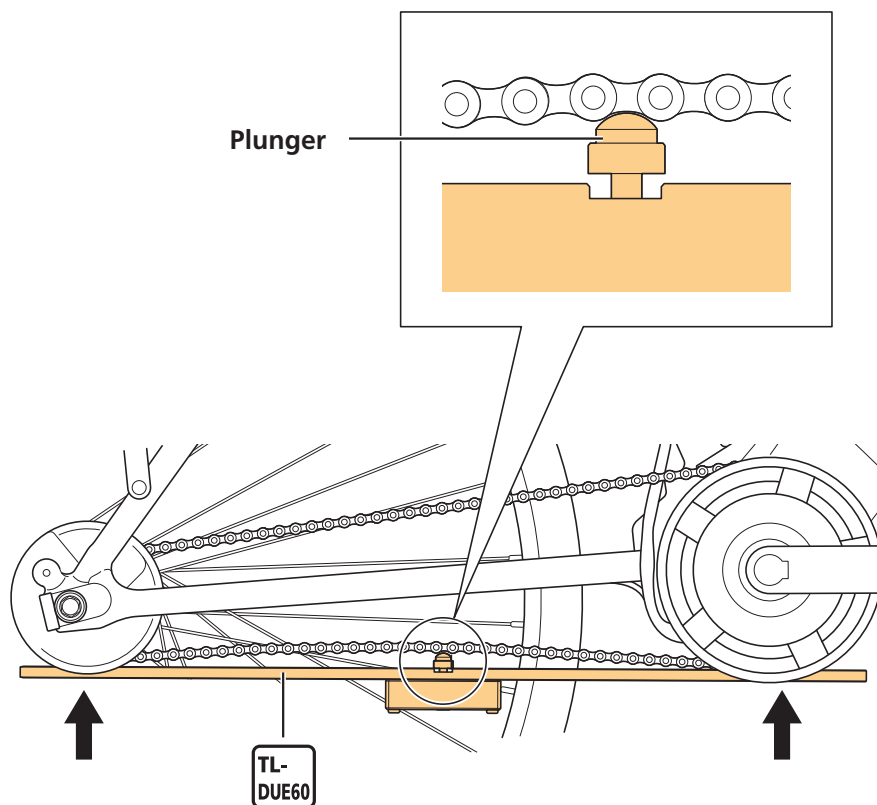


▶ Measuring and adjusting from the lower side of the chain

1. Set TL-DUE60.

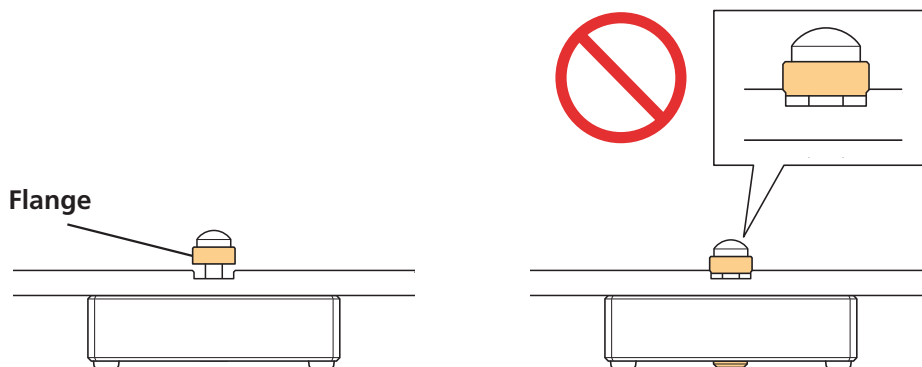
(1) Set TL-DUE60 to the lower side of the chain.

(2) Push TL-DUE60 up, and make it touch the chainring and rear sprocket.



2. Adjust the chain tension so the plunger depresses slightly.

Make sure that the flange of the plunger does not sink into the hollow of the frame.



Connection and communication with devices

Connecting the bicycle to a device allows you to configure the system, update firmware, and more. Refer to the “SHIMANO STEPS Cycle Computer User's Manual” and the “SHIMANO STEPS Special Cycle Computer and Switch Unit Parts Dealer's Manual” as well.

Maintenance

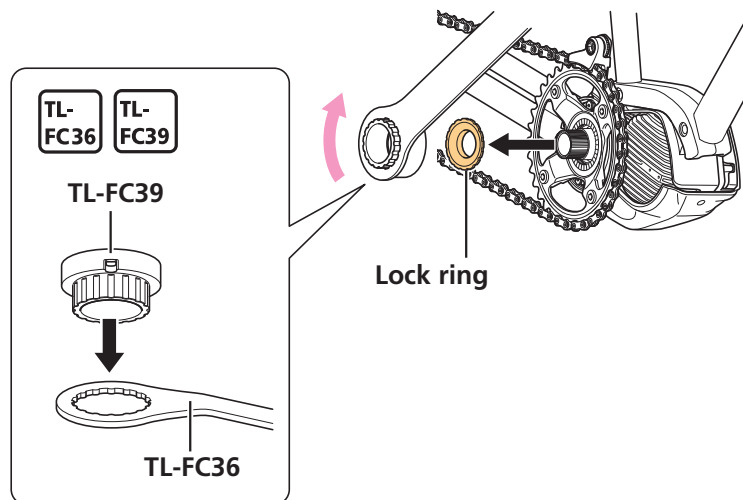
Replacing the chainring unit

When replacing the chainring unit, make sure that the chain is attached.

Refer to "Installing the chainring unit and crank arms" for detailed instructions.

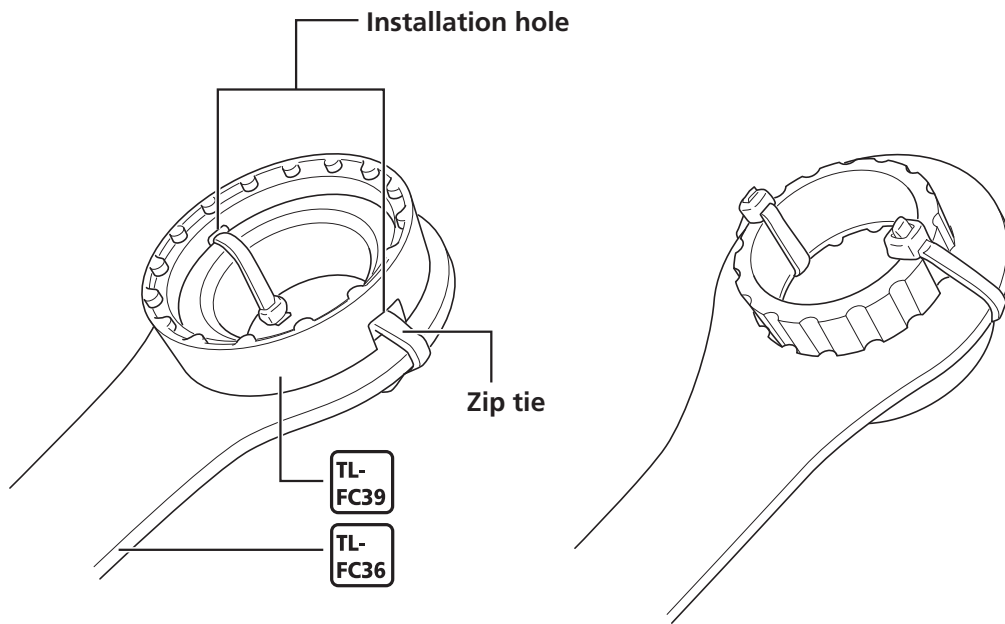
- 1. Remove the right crank arm.**
- 2. Remove the lock ring (left-hand thread).**

Hold the rear wheel firmly while removing the lock ring to keep the chainring from turning.



TECH TIPS

- The TL-FC39 can be secured to the TL-FC36 with zip ties as indicated in the figure.



3. Replace the chainring unit.

Remove the chainring unit, then install a new chainring unit.

Refer to “Replacing the chainring” when replacing the chainring.

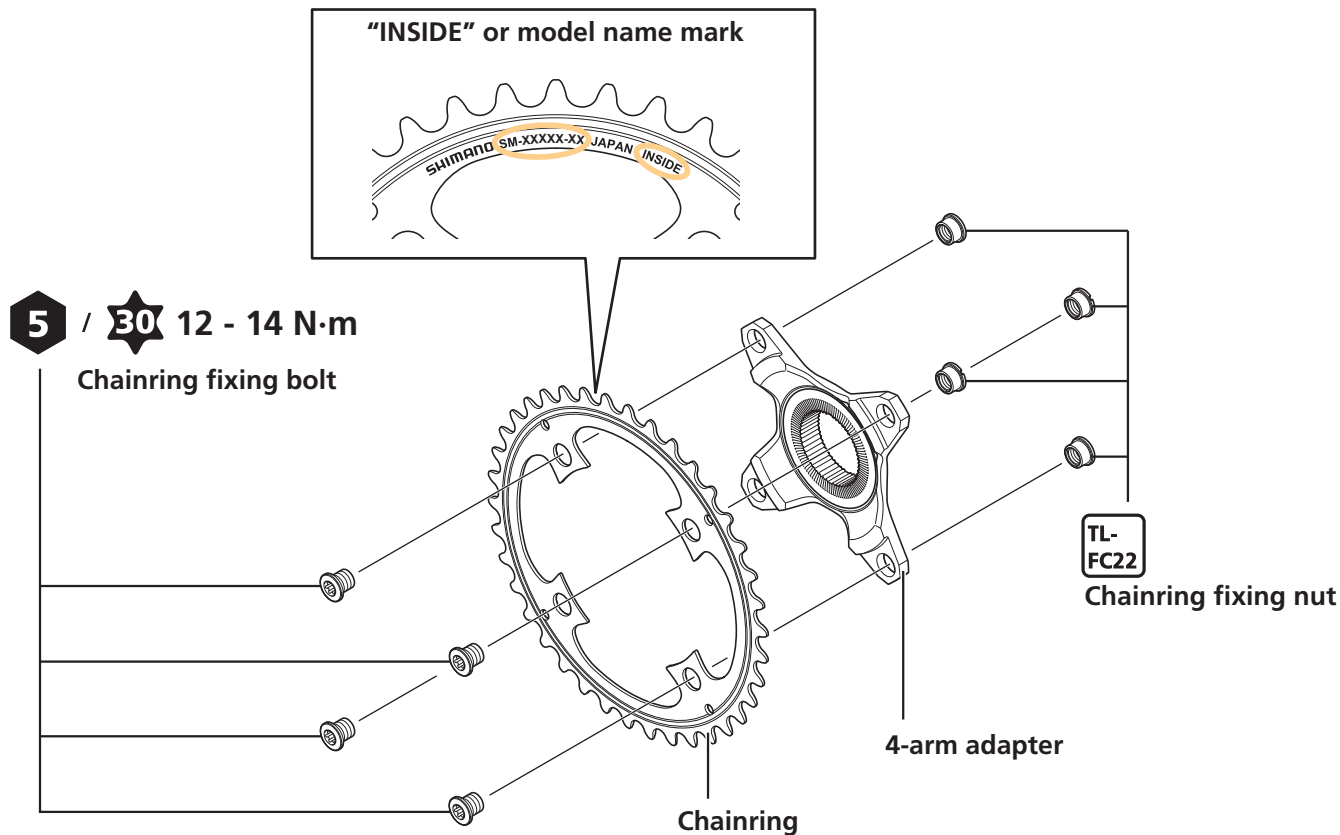
Replacing the chainring

Refer to “Replacing the chainring unit” for information on how to remove the chainring unit.

1. Remove the chainring unit.

2. Remove the chainring, then replace it with a new chainring.

Tighten 4 chainring fixing bolts alternately and equally to the specified tightening torque.



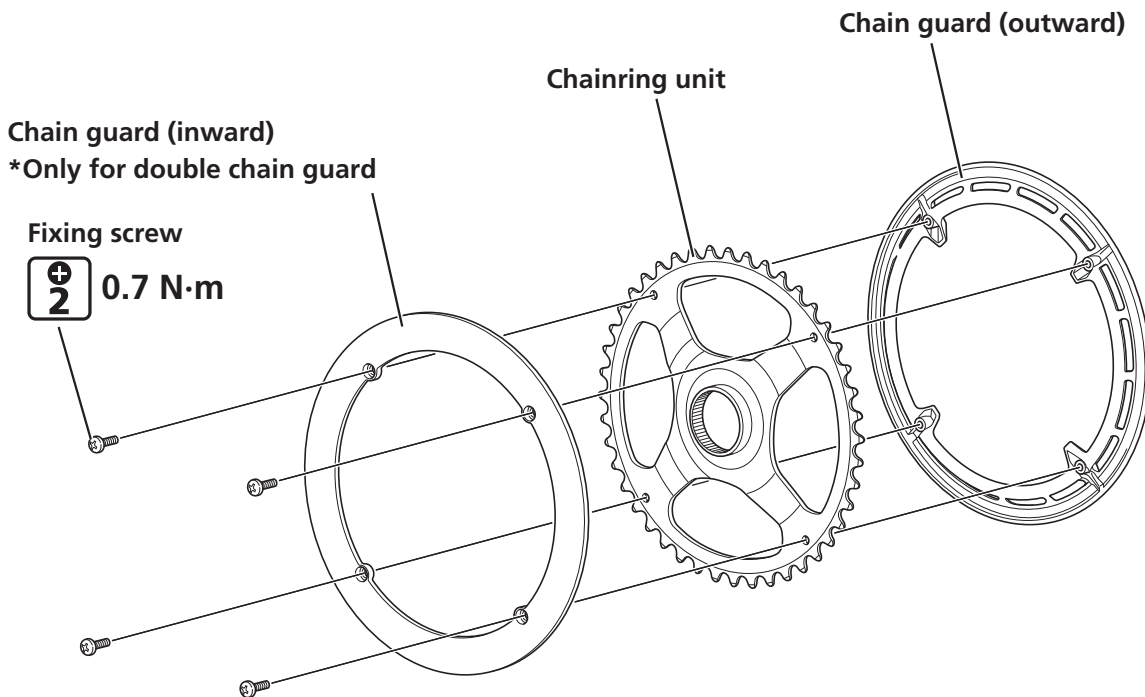
Replacing the chain guard

To replace the chain guard, first remove the chainring unit from the bicycle.

Refer to "Replacing the chainring unit" for information on how to remove the chainring unit.

1. Remove the chainring unit.

2. Remove the chain guard then replace it with a new chain guard.



Replacing the arm cover

The arm cover can be replaced with the chaining unit attached to the drive unit. Refer to "Installing the arm covers."

SHIMANO

SHIMANO NORTH AMERICA BICYCLE, INC.

One Holland, Irvine, California 92618, U.S.A. Phone: +1-949-951-5003

SHIMANO EUROPE B.V.

High Tech Campus 92, 5656 AG Eindhoven, The Netherlands Phone: +31-402-612222

SHIMANO INC.

3-77 Oimatsu-cho, Sakai-ku, Sakai City, Osaka 590-8577, Japan

Please note: specifications are subject to change for improvement without notice. (English)

© Feb. 2022 by SHIMANO INC. ITP