

Dealer's Manual

ROAD	MTB	Trekking
City Touring/ Comfort Bike	URBAN SPORT	E-BIKE

Shift Lever

DEORE

SL-M6100

SL-M5100

SL-M4100

Seat post lever

SL-MT500

Contents

Contents	2
IMPORTANT NOTICE	3
TO ENSURE SAFETY	4
List of tools to be used.....	7
Installation/removal	8
Installing the shift lever.....	8
• Standard type	8
• I-SPEC EV	8
Installing the seat post lever.....	12
• Standard type	12
• I-SPEC EV	13
Maintenance.....	19
Replacing the inner cable	19
• Shift lever	19
• Shift lever (MONO lever).....	20
• Seat post lever	21
Replacing the bracket (standard type and I-SPEC EV)	23




IMPORTANT NOTICE

- **This dealer's manual is intended primarily for use by professional bicycle mechanics.** Users who are not professionally trained for bicycle assembly should not attempt to install the components themselves using the dealer's manuals. If any part of the information on the manual is unclear to you, do not proceed with the installation. Instead, contact your place of purchase or a distributor for assistance.
- Make sure to read all manuals included with the product.
- Do not disassemble or modify the product other than as stated in the information contained in this dealer's manual.
- All manuals and technical documents are accessible online at <https://si.shimano.com>.
- For consumers who do not have easy access to the internet, please contact a SHIMANO distributor or any of the SHIMANO offices to obtain a hardcopy of the User's Manual.
- Please observe the appropriate rules and regulations of the country, state or region in which you conduct your business as a dealer.

For safety, be sure to read this dealer's manual thoroughly before use, and follow it for correct use.


The following instructions must be observed at all times in order to prevent personal injury and physical damage to equipment and surroundings.

The instructions are classified according to the degree of danger or damage which may occur if the product is used incorrectly.

 DANGER	Failure to follow the instructions will result in death or serious injury.
 WARNING	Failure to follow the instructions could result in death or serious injury.
 CAUTION	Failure to follow the instructions could cause personal injury or physical damage to equipment and surroundings.

TO ENSURE SAFETY

WARNING

- **Be sure to follow the instructions provided in the manuals when installing the product.** Only use SHIMANO genuine parts. If a component or replacement part is incorrectly assembled or adjusted, it can lead to component failure and cause the rider to lose control and crash.
-  Wear approved eye protection while performing maintenance tasks such as replacing components.

NOTICE

Be sure to also inform users of the following:

- Be sure to keep turning the crank arm during the shift lever operation.
- If gear shifting operation does not feel smooth, consult the place of purchase for assistance.
- Products are not guaranteed against natural wear and deterioration from normal use and aging.
- For maximum performance we highly recommend SHIMANO lubricants and maintenance products.

For installation to the bicycle and maintenance

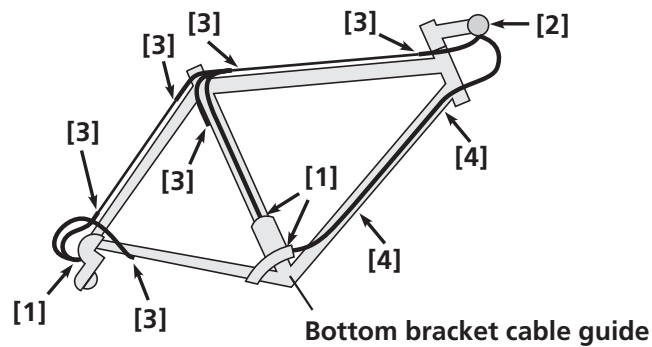
- Grease with SIS SP41 Grease (Y04180000) the inner cable and the sliding portions of the outer casing before use to ensure that they slide properly.
- Use an OT-SP41 cable and a cable guide (SM-SP17/SP18) for smooth operation.
- A special grease is used for the gear shifting cable. Do not use Premium Grease or other types of grease, otherwise, they may cause deterioration in gear shifting performance.
- Use an outer casing which still has some length to spare even when the handlebars are turned all the way to either side. Furthermore, check that the shift lever does not touch the bicycle frame when the handlebars are turned all the way.
- If gear shifting adjustments cannot be carried out, check the alignment of the dropout and check if the cable is lubricated or if the outer casing is too long or too short.
- List of cables used

Designated inner cable	Recommended outer casing
<p>Ø1.2 mm</p> <p>SL-M6100/SL-M5100/SL-M4100 SL-MT500</p> <p>S = Stainless steel F = Steel D = OPTISLICK</p>	<p>SP41 outer casing</p> <p>Ø4 mm</p> <p>SHIMANO SP41</p>

* Refer to the list of recommended outer caps.

* Do not let dust adhere on the inner cable. If the grease on the inner cable is wiped off, the application of SIS SP41 Grease (Y04180000) is recommended.

• List of recommended outer caps



[1]	[2]	[3]	[4]
<p>A or B</p>	<p>B</p>	<p>C + D</p>	<p>E</p>






Type of outer cap	Remarks
A Sealed outer cap (aluminum type)	FD/RD side Recommended when the outer casing moves to a large degree, such as in bicycles with suspension frames
B Sealed outer cap (resin type)	Shift lever/FD/RD side
C Sealed outer cap with tongue	Outer casing holder on frame side
D Rubber shield	

Type of outer cap		Remarks
E	Outer cap with long tongue	Recommended for bikes with internal cable routing where there is not a straight angle and/or the inner cable contacts the frame material where it enters the frame

The actual product may differ from the illustration because this manual is intended mainly to explain the procedures for using the product.

List of tools to be used

The following tools are needed for installation/removal, adjustment, and maintenance purposes.

Tool	
	2 mm hexagon wrench
	3 mm hexagon wrench
	4 mm hexagon wrench
	Cross head screwdriver [#2]
	TL-CT12

Installation/removal

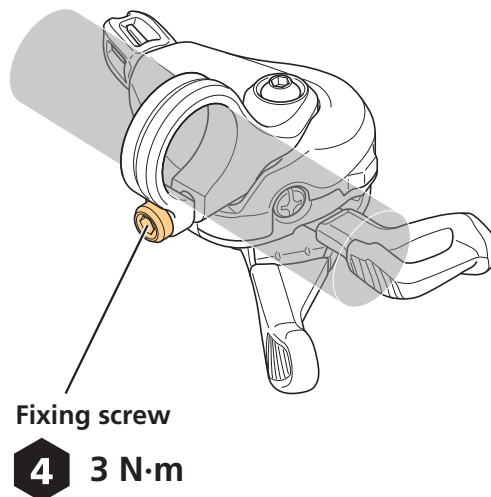
Installing the shift lever

When installing parts onto a carbon frame/handlebar, confirm the recommended tightening torque with the carbon frame or handlebar manufacturer. This will prevent damage to the frame/handlebar due to over-torquing or inadequate securing of the components.

Standard type

1. Tighten the fixing screw.

Use a handle grip with a maximum outer diameter of $\varnothing 36$ mm or less.



NOTICE

- Check that the brake and gear shifting operations are not obstructed.

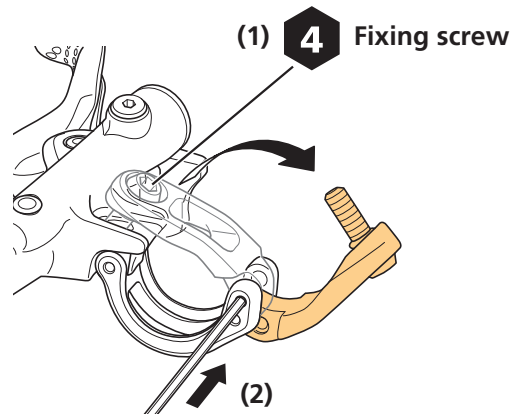
I-SPEC EV

For information on brake levers that can be installed, check the compatibility information (<https://productinfo.shimano.com>).

1. Open the clamp band of the brake lever.

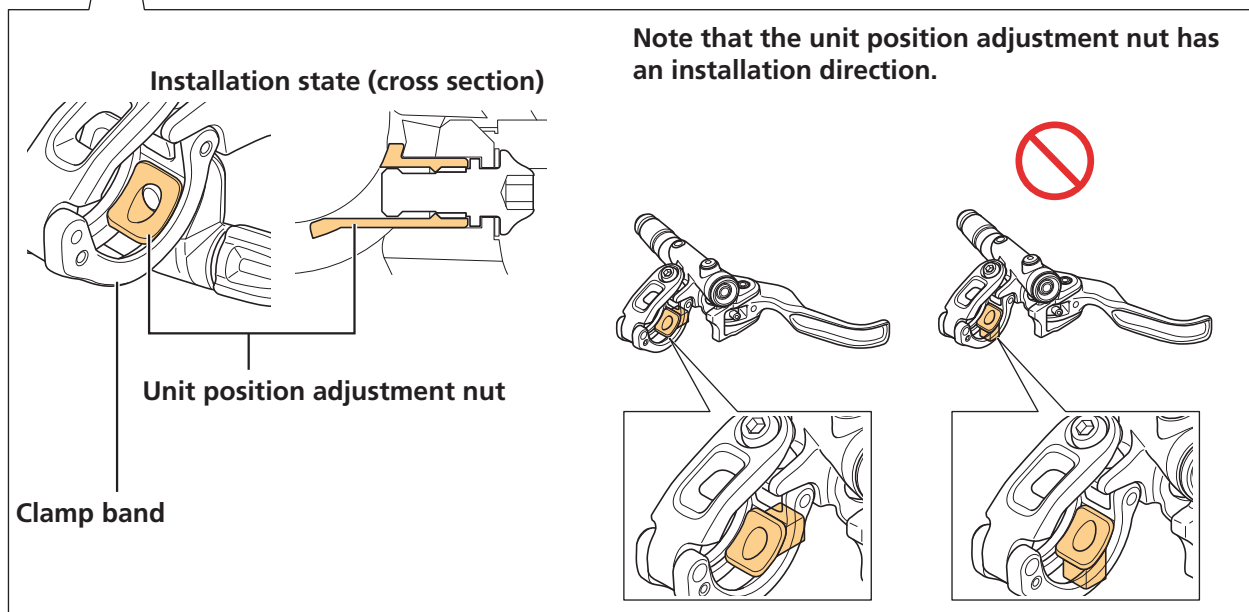
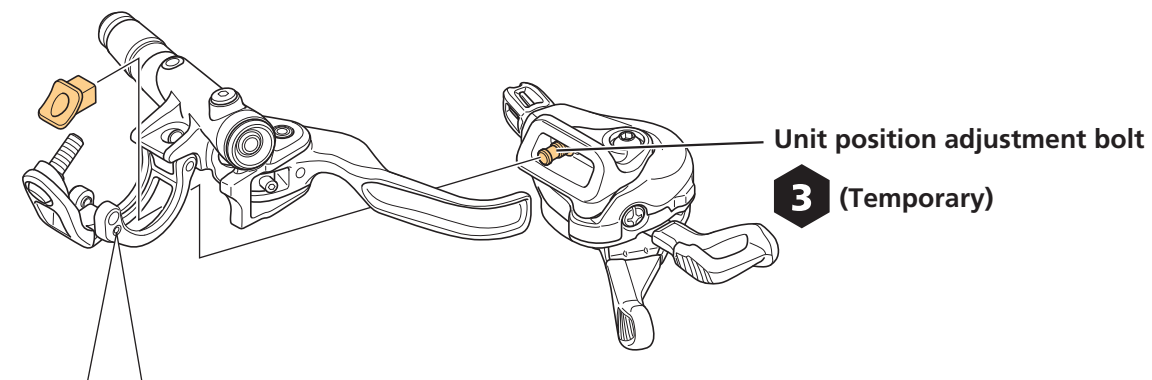
- (1) Loosen the fixing screw.

- (2) Press the recessed area of the clamp band with a tool such as a 2 mm hexagon wrench to disengage the safety latch.

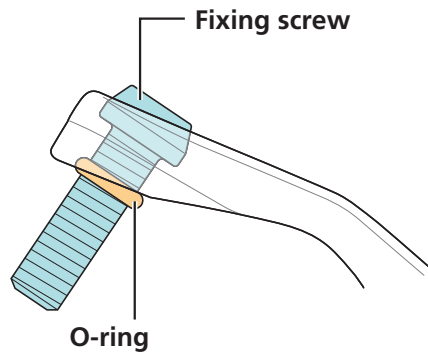


2. Temporarily attach the shift lever to the clamp band.

Temporarily install with the unit position adjustment bolt as shown in the figure. Make sure to firmly install the unit position adjustment nut to the clamp band.

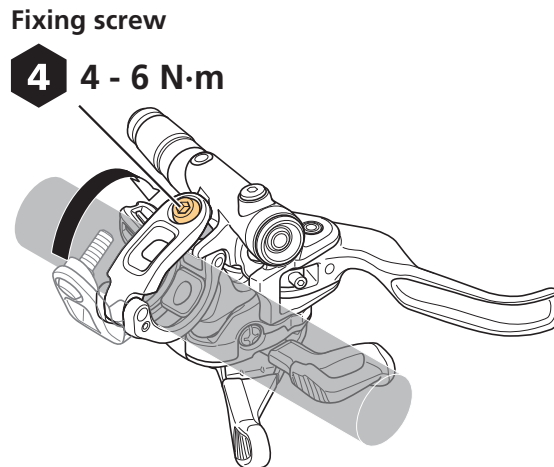


3. Pull an O-ring to the clamp band side as shown in the figure.



4. Attach the brake lever to the handlebar.

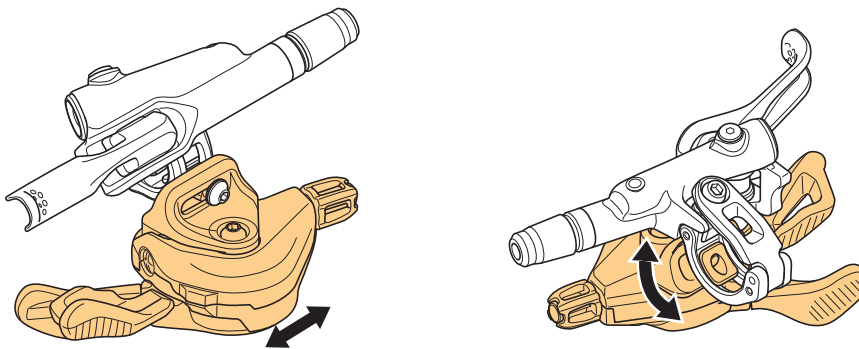
Secure the lever using the fixing screw.



5. Adjust the position of the shift lever.

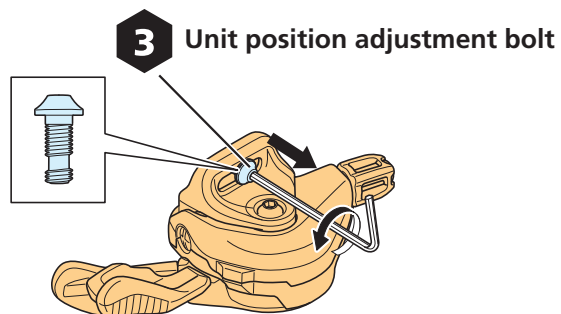
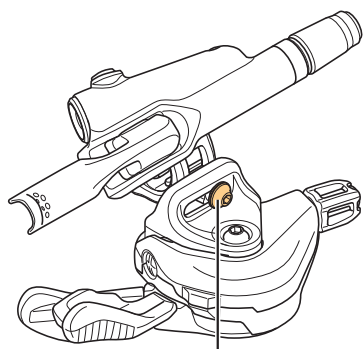
Adjust the shift lever by sliding it vertically or horizontally.

If it is difficult to slide the shift lever, loosen the unit position adjustment bolt.



TECH TIPS

- To remove it, loosen the unit position adjustment bolt while pulling the main body of the shift lever away from the brake lever. Since the thread of the unit position adjustment bolt is cut off midway to prevent detachment, it is necessary to pull the main body of the shift lever away from the brake lever.

**6. Tighten the unit position adjustment bolt.**

Unit position adjustment bolt

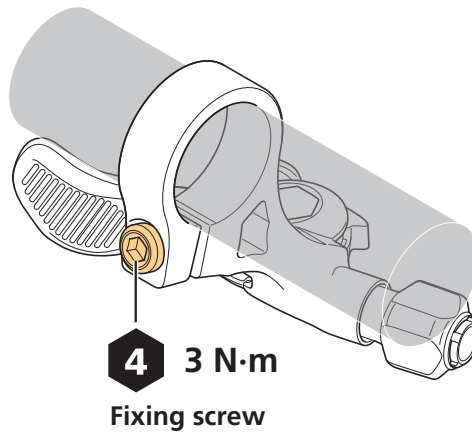
3 3 N·m

Installing the seat post lever

Standard type

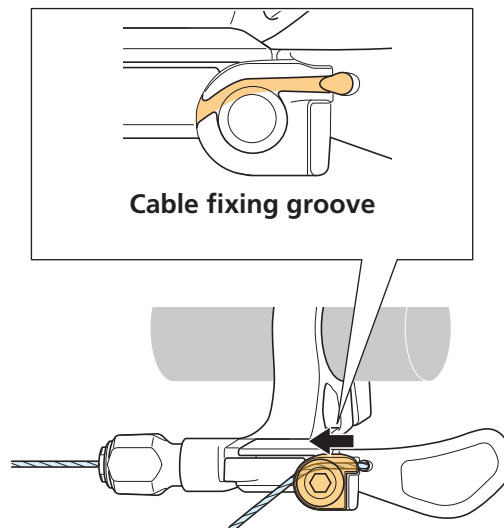
1. Tighten the fixing screw.

Use a handle grip with a maximum outer diameter of $\varnothing 36$ mm or less.



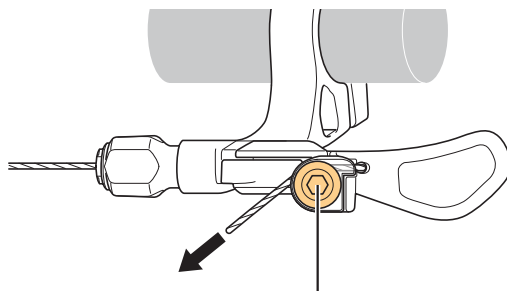
2. Set the inner cable.

Pass the inner cable through along the cable fixing groove on the bottom of the cable fixing plate.



3. Tighten the cable fixing screw.

While pulling the inner cable, tighten the cable fixing screw.

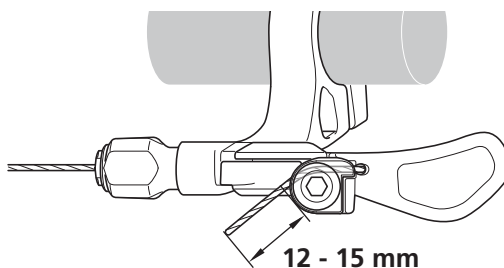


Cable fixing screw

4 6 - 7 N·m

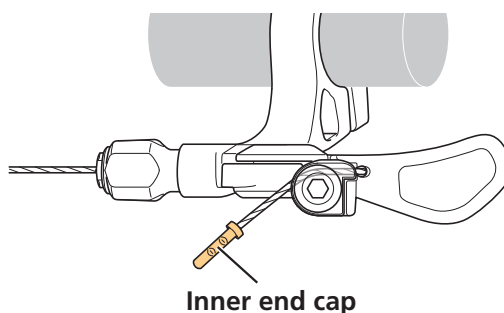
4. Cut the inner cable so that the protruding length is 12 - 15 mm.

Use TL-CT12 to cut the inner cable.



5. Install the inner end cap.

Use TL-CT12 to crimp the inner end cap.

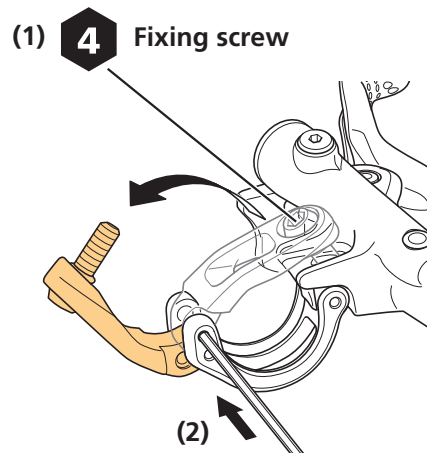


I-SPEC EV

For information on brake levers that can be installed, check the compatibility information (<https://productinfo.shimano.com>).

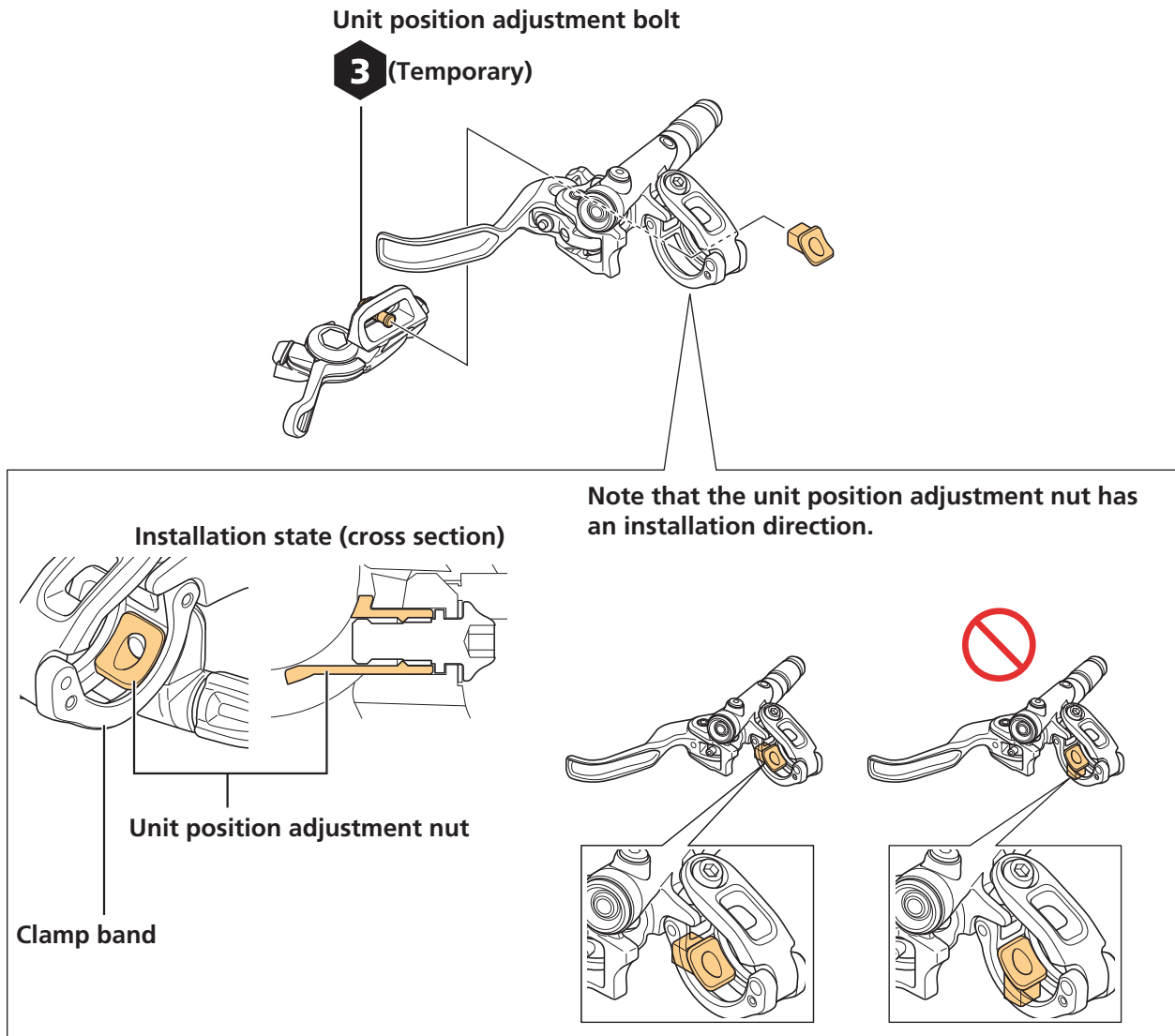
1. Open the clamp band of the brake lever.

- (1) Loosen the fixing screw.
- (2) Press the recessed area of the clamp band with a tool such as a 2 mm hexagon wrench to disengage the safety latch.

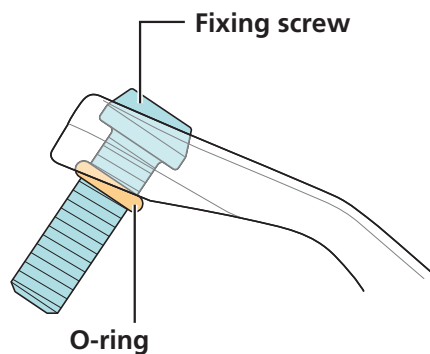


2. Temporarily attach the seat post lever to the clamp band.

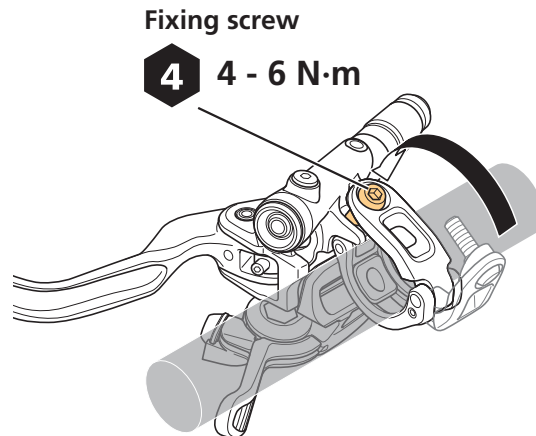
Temporarily install with the unit position adjustment bolt as shown in the figure. Make sure to firmly install the unit position adjustment nut to the clamp band.



3. Pull an O-ring to the clamp band side as shown in the figure.



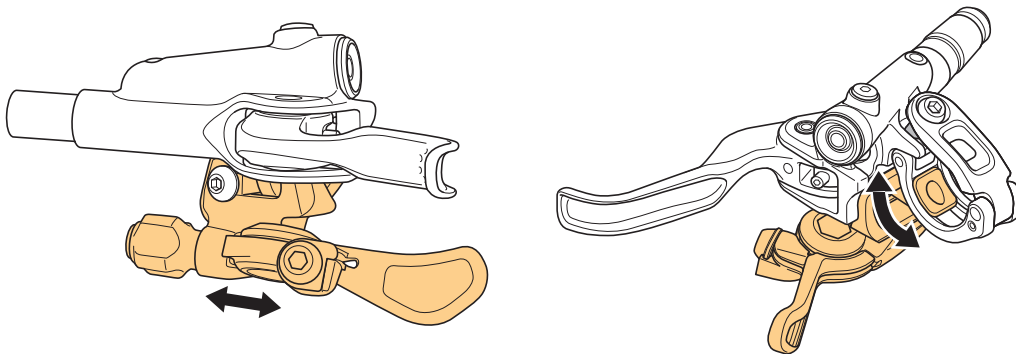
4. Attach the brake lever to the handlebar.



5. Adjust the position of the seat post lever.

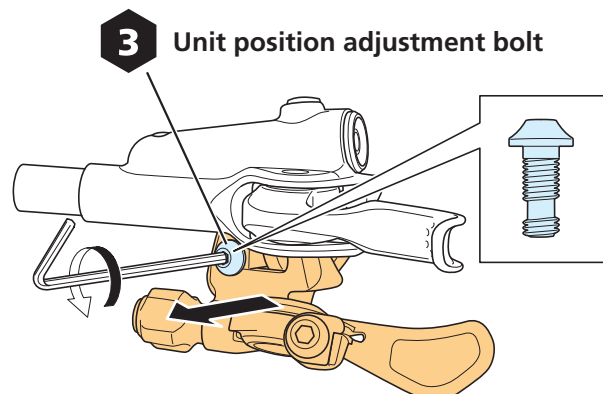
Adjust the seat post lever by sliding it vertically or horizontally.

If it is difficult to slide the seat post lever, loosen the unit position adjustment bolt.



TECH TIPS

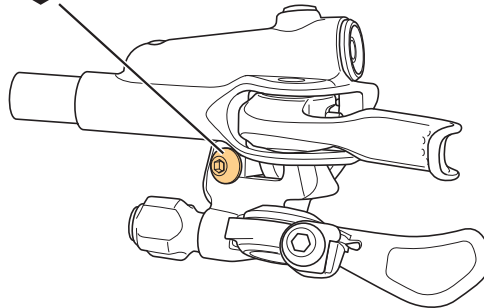
- To remove it, loosen the unit position adjustment bolt while pulling the main body of the seat post lever away from the brake lever. Since the thread of the unit position adjustment bolt is cut off midway to prevent detachment, it is necessary to pull the main body of the seat post lever away from the brake lever.



6. Tighten the unit position adjustment bolt.

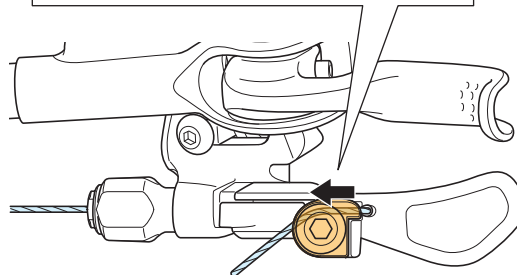
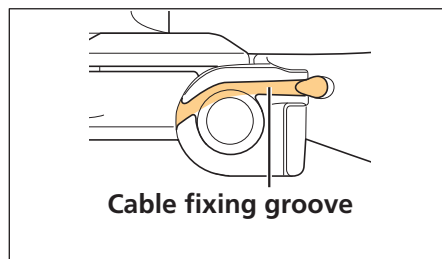
Unit position adjustment bolt

3 4 N·m



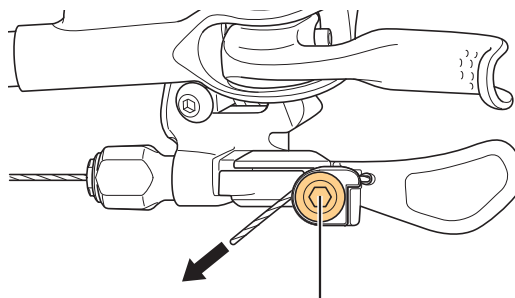
7. Set the inner cable.

Pass the inner cable through along the cable fixing groove on the bottom of the cable fixing plate.



8. Tighten the cable fixing screw.

While pulling the inner cable, tighten the cable fixing screw.

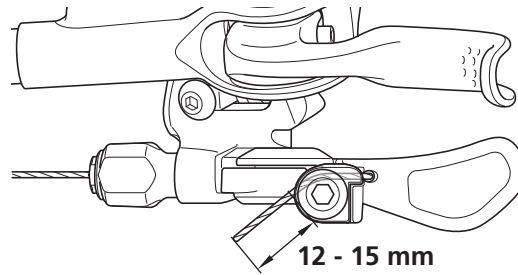


Cable fixing screw

4 6 - 7 N·m

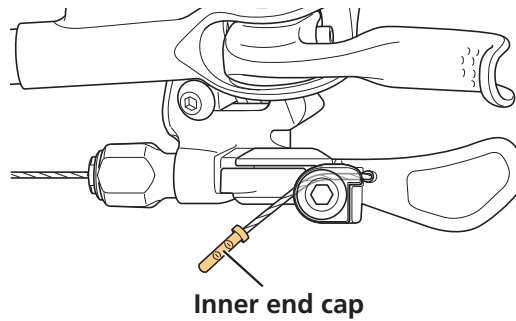
9. Cut the inner cable so that the protruding length is 12 - 15 mm.

Use TL-CT12 to cut the inner cable.



10. Install the inner end cap.

Use TL-CT12 to crimp the inner end cap.



Maintenance

Replacing the inner cable

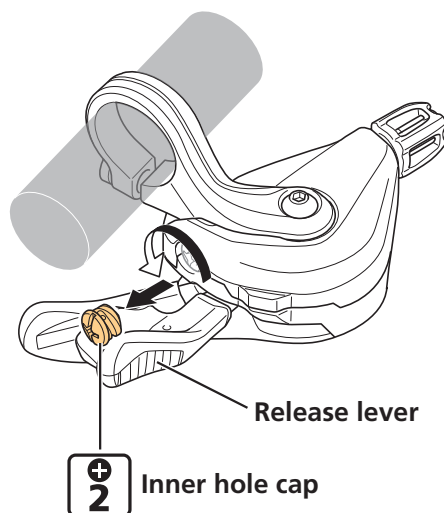
Before starting the replacement, loosen the cable fixing screws (nuts) of the front derailleur, rear derailleur, and seat post.

Shift lever

1. Set the shift lever in its initial position.

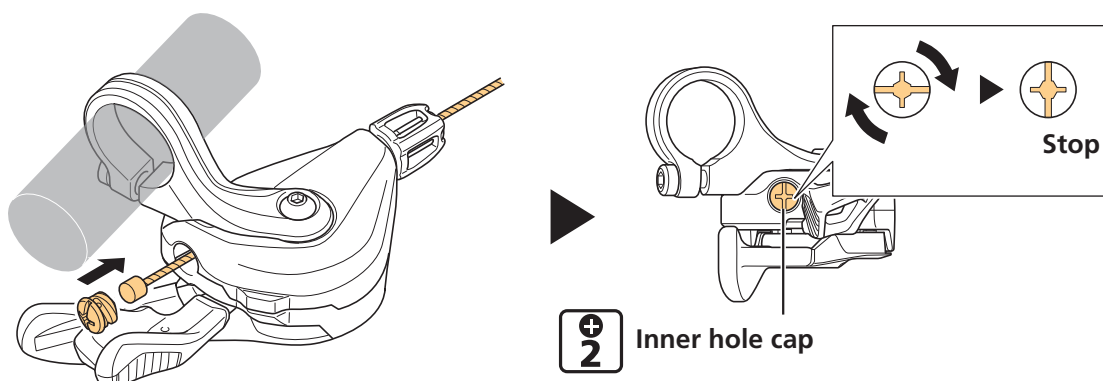
Operate the release lever 11 or more times for a 12-speed, 10 or more times for an 11-speed, and 9 or more times for a 10-speed.

2. Remove the inner hole cap.



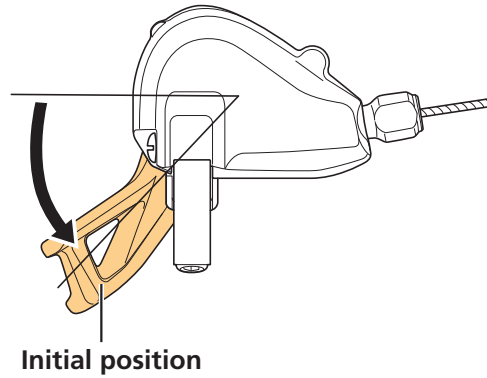
3. Replace the inner cable and install an inner hole cap.

Turn and stop the inner hole cap at the position shown in the figure. If you force it to turn, it may damage the screw thread on the cap.

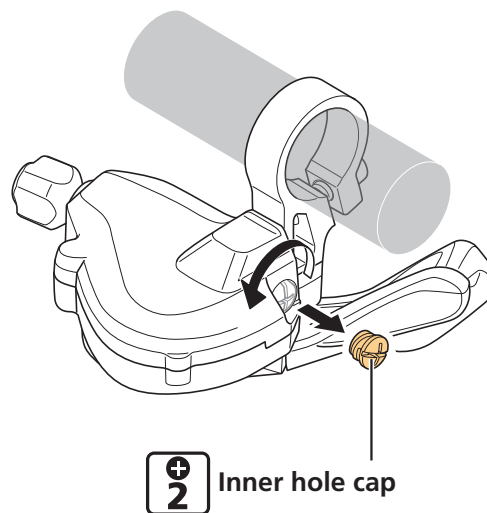


Shift lever (MONO lever)

1. Set the lever in its initial position.

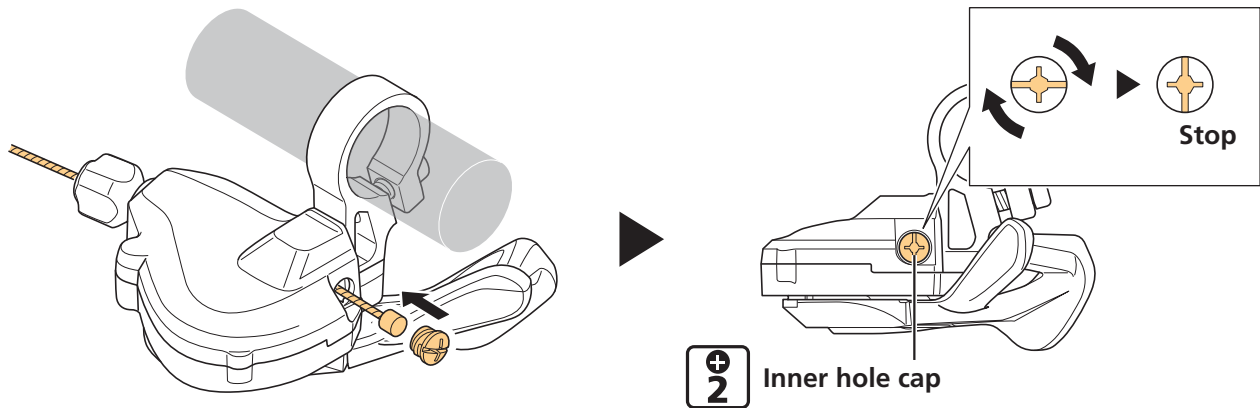


2. Remove the inner hole cap.



3. Replace the inner cable and install an inner hole cap.

Turn and stop the inner hole cap at the position shown in the figure. If you force it to turn, it may damage the screw thread on the cap.

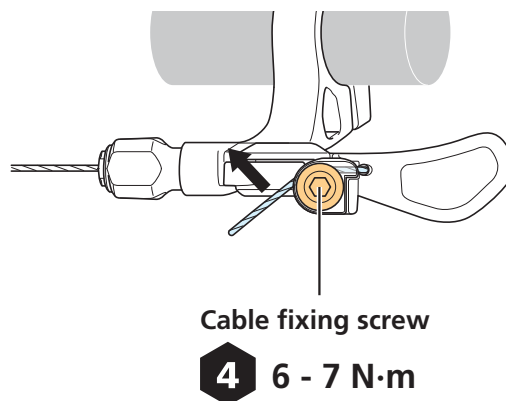


Seat post lever

1. Separate the inner end cap.

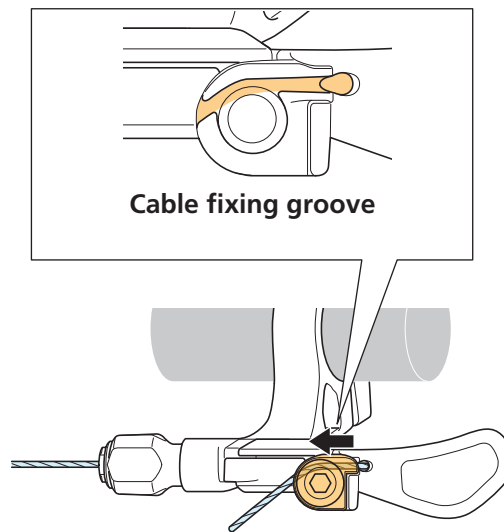
Cut the inner cable with TL-CT12.

2. Loosen the cable fixing screw and remove the inner cable.



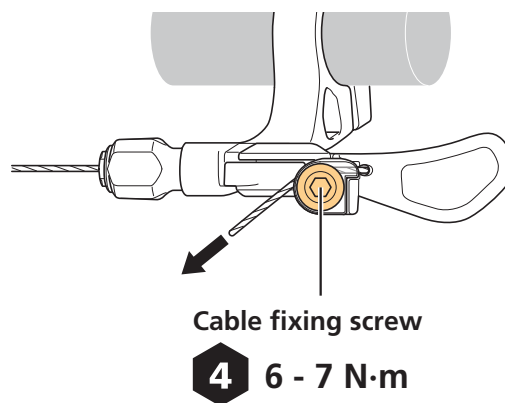
3. Set the inner cable.

Pass the inner cable through along the cable fixing groove on the bottom of the cable fixing plate.



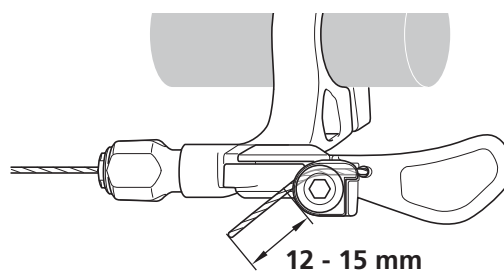
4. Tighten the cable fixing screw.

While pulling the inner cable, tighten the cable fixing screw.



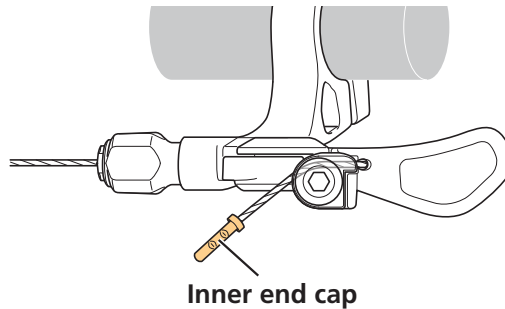
5. Cut the inner cable so that the protruding length is 12 - 15 mm.

Use TL-CT12 to cut the inner cable.



6. Install the inner end cap.

Use TL-CT12 to crimp the inner end cap.

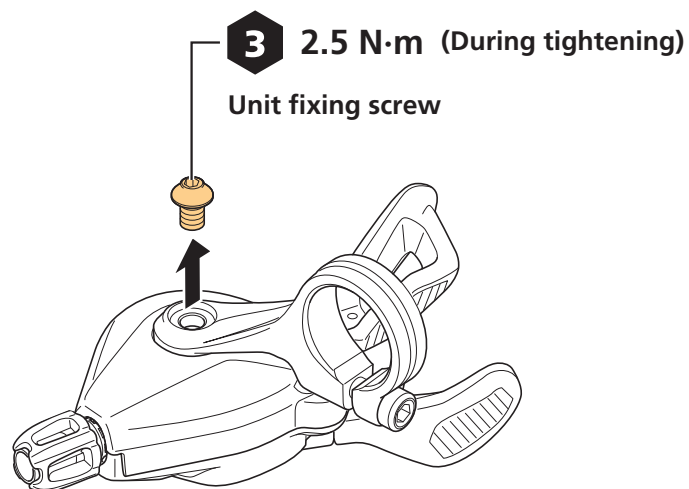


Replacing the bracket (standard type and I-SPEC EV)

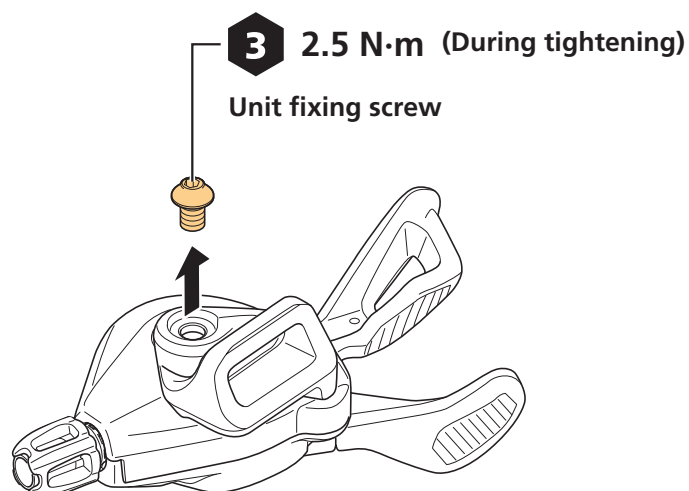
* The MONO lever bracket cannot be replaced.

1. Remove the unit fixing screw.

Standard type

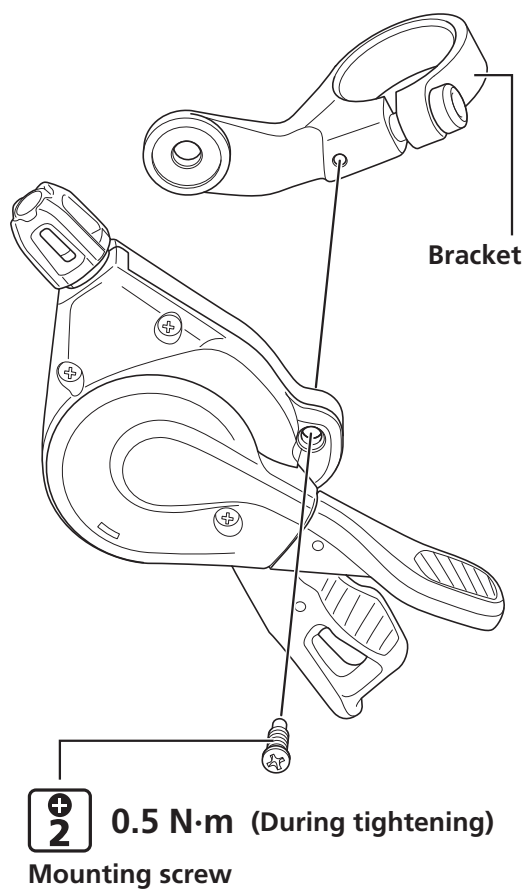


I-SPEC EV



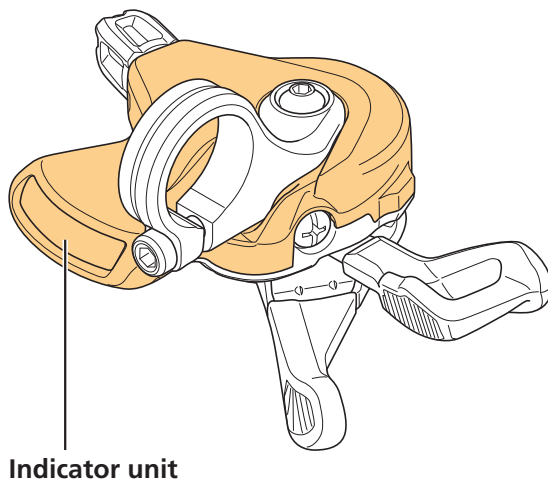
2. Remove the mounting screw, then remove the bracket.

* When installing the bracket, reverse the procedure.



TECH TIPS

- Do not disassemble the indicator unit.
- The indicator unit cannot be replaced.



SHIMANO

SHIMANO NORTH AMERICA BICYCLE, INC.

One Holland, Irvine, California 92618, U.S.A. Phone: +1-949-951-5003

SHIMANO EUROPE B.V.

High Tech Campus 92, 5656 AG Eindhoven, The Netherlands Phone: +31-402-612222

SHIMANO INC.

3-77 Oimatsu-cho, Sakai-ku, Sakai City, Osaka 590-8577, Japan

Please note: specifications are subject to change for improvement without notice. (English)

© May 2021 by SHIMANO INC. ITP